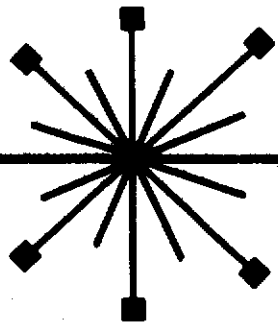


Dixie-Narco[®] INC.

P.O. DRAWER 719
WILLISTON, S.C. 29853

1-800-688-9090
1-803-266-5000

PARTS LIST



**MOST RANSON BUILT
MODELS**

Made During the 1980's

DNCB - 1 1/4"
2569CG thru 3097AN

DNCB - T
2497AG thru 3100AN

-WARRANTY-

Dixie-Narco Warrants to the original purchaser of a Dixie-Narco unit all parts thereof (except light bulbs, fuses, or finish) to be free from defects in material and workmanship, under normal use and service for a period of 12 months from the date of shipment of the unit from either our plant or warehouse.

All conditions as set forth in this Warranty apply also to the Ardac Dollar Bill Validator which is warranted for 12 months from the date of shipment of the Ardac Validator from either our plant or warehouse.

The term "original purchaser" as used in this warranty shall be deemed to mean that person, firm, association, or corporation to which the machine was sold originally.

Dixie-Narco's obligation under this warranty is limited to repairing or replacing without charge any part which upon our examination and to our satisfaction was defective in material or in workmanship and which failed under normal operating conditions and service.

The hermetically sealed refrigeration system (included in the machine), consisting of the motor compressor, condenser, evaporator and the refrigerant tubing is warranted for a total period of 60 months from date of shipment of the vender.

The vend motor is warranted for a total period of 60 months from date of shipment of the vender.

The 60 month warranty does not apply to any electrical controls, fan motors, overload switches, starting relays, temperature controls, wiring harnesses, cabinet or finish. Dixie-Narco's obligation under this warranty on the sealed refrigeration system referred to above is limited to repairing and returning or replacing at Dixie-Narco's option any unit with a similar unit when upon examination and to our satisfaction it was determined to have been defective. If our examination reveals that the unit is inoperative because of a defective accessory, both cost of repairs and freight charges will be paid by the customer.

Dixie-Narco will pay transportation charges under this warranty on all parts replaced or repaired when transportation has been made in the most economical way. If special handling or special transportation is used or requested, the charges will be paid by the customer.

This warranty only applies to units located within the United States and Canada and when operated in normal conditions and with electrical power supplies of 110/120 volts, 60 cycle. Further, the warranty is voided when a unit or any part has been subject to misuse, neglect, alteration without proper authorization, accident, or damage caused by transportation, flood, civil disorder, fire or the Acts of God.

"Return Material Tags", indicating model number of unit, serial number, and explanation of defect, must accompany all returned parts or units. In addition, for Ardac components the serial number of the component that failed is required. "Return Material Tags" will be furnished upon request.

Effective Date: December 1, 1987

The beginning Serial Number for INCB 1 1/4" Deeper 6 and 8 column models is S/N0001-2569CG.

However: In production run....2565 the following serial numbers were 1 1/4" Deeper Models. 1389-2565, 1391-2565, 1393-2656 thru 1417-2565, 1419-2565 thru 1434-2565, 1436-2565 thru 1438-2565, 1436-2565 thru 1438-2565, 1440-2565 thru 1490-2565, 1494-2565, 1498-2565, and 1499-2565.

In production run....2566 the following serial numbers were 1 1/4" Deeper Models. 0001-2566 thru 0084-2566, 0087-2566, 0090-2566 thru 0093-2566, 0096-2566, 0089-2655, 0105-2566, 0108-2566, 0131-2566, 0147-2566, -152-2655, 0206-2566, 0329-2566, 0380-2566, 0750-2566

The beginning Serial Number for INCB 9 and 10 select 1 1/4" Deeper Dual Adaptables is 1300-2633CH.

The beginning Serial Number for 37 1/16" wide Magnum models is-2679DH.

The beginning Serial Number for 37 1/16" wide Century II models is-2768DI.

The beginning Serial Number for 28 5/16" wide Century II models is-2861DJ.

The beginning Serial Number for 37 1/16" wide Magnum Circular models is-2858DJ. However,-2858,-2859,-2865, and-2867 were mixed production runs of Flat and Circular Magnums.

NOTE: The first Magnum Circular models were produced with a protruding discharge port. Then beginning with serial number2898 Magnum Circular models were produced with a flush discharge port.

However: On production run2995 - 488 Magnum circular models were produced with a flush discharge port.

On production run2986 all Magnum Circular models were produced with a flush discharge port.

On production run2900 all Magnum Circular models were produced with a protruding discharge port.

The letters at the end of the serial numbers indicate the quarter and year in which the vender was manufactured.

The date system started in 1976

Thus,

For a given year the first letter is the quarter, i.e.,

A = First Quarter
B = Second Quarter
C = Third Quarter
D = Fourth Quarter

The second letter is the year, i.e.,

A = Year, 1976	F = Year, 1981	K = Year, 1986
B = Year, 1977	G = Year, 1982	L = Year, 1987
C = Year, 1978	H = Year, 1983	M = Year, 1988
D = Year, 1979	I = Year, 1984	N = Year, 1989
E = Year, 1980	J = Year, 1985	O = Year, 1990

The beginning Serial Number for the following Magnum Models is ----2839CJ:
 DNCB168/99-5; DNCB180M/105-5; DNCB240M/138-6; DNCB276M/162-6

However: In production run2832 twenty-five (25) DNCB240M/138-6 Magnum models were produced.

In production run....2844 no Magnums were produced.

NOTE: Some of these first Magnum models were produced with the Discharge Port "centered" in the Door. The "Off Centered" Discharge Port was developed to make the venders more serviceable.

The beginning Serial Number for "Off Centered" Discharge Ports was....2861 with the following exceptions:

DNCB168M/99-6: In production run....2861 fifty (50) DNCB168M/99-6 were produced with "centered" Discharge Port.

The Serial Numbers of these venders are: 0718-2861 thru 0720-2861, 0722-2861 thru 0726-2861, 0728-2861 thru 0730-2861, 0732-2861 thru 0734-2861, 0736-2861 thru 0762-2861, 0766-2861, 0767-2861, 0770-2861, 0772-2861 thru 0775-2861, 0778-2861, and 0779-2861.

Beginning with Serial Number....2868 and thereafter all DNCB168M/99-6 were produced with Discharge Ports "Off Centered".

DNCB180M/105-5: Beginning with Serial Number....2861 and thereafter all DNCB180M/105-5 were produced with Discharge Ports "Off Centered". (None of these Models were produced with Discharge Port "centered".)

DNCB240M/138-6: In production run....2862 all DNCB240M/138-6 were produced with "centered" Discharge Ports.

Beginning with Serial Number...2869 and thereafter, all DNCB240M/138-6 were produced with Discharge Ports "Off Centered".

DNCB276M/162-6: In production run....2863 seventy-five (75) DNCB276M/162-6 were produced with "centered" Discharge Ports.

The Serial Numbers of these venders are: 1062-2863, 1064-2863, 1070-2863, 1078-2863 thru 1144-2863, 1146-2863 thru 1150-2863.

Beginning with Serial Number 2870 and thereafter, all DNCB276M/162-6 were produced with Discharge Ports "Off Centered".

Additional Serial Number Information relative to Models covered in this Parts List:

<u>Model</u>	<u>Beginning Serial Number</u>
DNCB630/360-5 & -6	0601-2420BF
DNCB630T/360-5 & -6	0901-2497AG
DNCB432T/252-5 & -6	0901-2500AG
DNCB522T/300-5 & -6	0801-2502AG
DNCB501T/280-7 & -8	0001-2785DI
DNCB600T/340-7 & -8	0001-2775DI
DNCB489/326-9 & -10	0001-2951DK
DNCB588/392-9 & -10	0001-2931DK

The beginning serial number for Landscape Coke models is-2949DK.

DIXIE-NARCO

DNCB 432T/252-5-6

Height: 66-5/16
 Width: 37-1/16
 Depth: 29-1/2
 Shipping Wt.: 655 lbs.
 Capacity:
 Can, 12 oz. 432
 Bottle, 16 oz. PLB 252

DNCB 501T/280-7-8

Height: 72
 Width: 37-1/16
 Depth: 29-1/2
 Shipping Wt.: 695 lbs.
 Capacity:
 Can, 12 oz. 501
 Bottle, 16 oz. PLB 280

DNCB 180/105-5

Height: 56-11/16
 Width: 28-5/16
 Depth: 26
 Shipping Wt. 462 lbs.
 Capacity:
 Can 180
 Bottle, Reg. 105
 10 oz. PLB

DNCB 489/326-9-10

Height: 72
 Width: 37-1/16
 Depth: 29
 Shipping Wt. 786 lbs.
 Capacity:
 Can, 12 oz. 489
 10 oz. PLB 326

DNCB 522T/300-5-6

Height: 72
 Width: 37-1/16
 Depth: 29-1/2
 Shipping Wt.: 695 lbs.
 Capacity:
 Can, 12 oz. 522
 Bottle, 16 oz. PLB 300

DNCB 600T/340-7-8

Height: 79-1/2
 Width: 37-1/16
 Depth: 29-1/2
 Shipping Wt.: 800 lbs.
 Capacity:
 Can, 12 oz. 600
 Bottle, 16 oz. PLB 340

DNCB 168/99-5-6

Height: 56-11/16
 Width: 28-5/16
 Depth: 26
 Shipping Wt. 462 lbs.
 Capacity:
 Can, 12 oz. 168
 Bottle, Reg. 99
 10 oz. PLB 168

DNCB 588/392-9-10

Height: 79½
 Width: 37-1/16
 Depth: 29
 Shipping Wt. 854 lbs.
 Capacity:
 Can, 12 oz. 588
 10 oz. PLB 392

DNCB 630T/360-5-6

Height: 79-1/2
 Width: 37-1/16
 Depth: 29-1/2
 Shipping Wt.: 800 lbs.
 Capacity:
 Can, 12 oz. 630
 Bottle, 16 oz. PLB 360

DNCB 630/360-5-6

Height: 79-1/2
 Width: 37-1/16
 Depth: 33-1/2
 Shipping Wt.: 850 lbs.
 Capacity:
 Can, 12 oz. 630
 Bottle, 16 oz. PLB 360

DNCB 240/138-5-6

Height: 66-5/16
 Width: 28-5/16
 Depth: 26
 Shipping Wt. 530 lbs.
 Capacity:
 Can, 12 oz. 240
 Bottle, Reg. 138
 10 oz. PLB 228

DNCB 276/162-5-6

Height: 72
 Width: 28-5/16
 Depth: 26
 Shipping Wt. 573 lbs.
 Capacity:
 Can, 12 oz. 276
 Bottle, Reg. 162
 10 oz. PLB 264

DNCB 360/210-5-6

Height: 72
 Width: 37-1/16
 Depth: 26
 Shipping Wt. 670 lbs.
 Capacity:
 Can, 12 oz. 360
 Bottle, Reg. 210
 10 oz. PLB 348

DNCB 432/246-5-6

Height: 79½
 Width: 37-1/16
 Depth: 26
 Shipping Wt. 716 lbs.
 Capacity:
 Can, 12 oz. 432
 Bottle, Reg. 246
 10 oz. PLB 432

DNCB 320/184-7-8

Height: 66-5/16
 Width: 37-1/16
 Depth: 26
 Shipping Wt. 643 lbs.
 Capacity:
 Can, 12 oz. 320
 Bottle, Reg. 184
 10 oz. PLB 304

DNCB 368/216-7-8

Height: 72
 Width: 37-1/16
 Depth: 26
 Shipping Wt. 690 lbs.
 Capacity:
 Can, 12 oz. 368
 Bottle, Reg. 216
 10 oz. PLB 352

DNCB 440/252-7-8

Height: 79½
 Width: 37-1/16
 Depth: 26
 Shipping Wt. 748 lbs.
 Capacity:
 Can, 12 oz. 440
 Bottle, Reg. 252
 10 oz. PLB 432

DNCB 348/206-9-10

Height: 72
 Width: 37-1/16
 Depth: 26
 Shipping Wt. 690 lbs.
 Capacity:
 Can, 12 oz. 348
 Bottle, Reg. 206
 10 oz. PLB 328

DNCB 414/239-9-10

Height: 79½
 Width: 37-1/16
 Depth: 26
 Shipping Wt. 748 lbs.
 Capacity:
 Can, 12 oz. 414
 Bottle, Reg. 239
 10 oz. PLB 396

DNCB 304/174-9-10

Height: 66-5/16
 Width: 37-1/16
 Depth: 26
 Shipping Wt. 643 lbs.
 Capacity:
 Can, 12 oz. 304
 Bottle, Reg. 174
 10 oz. PLB 284

MAIN DOOR.....	4
WELDED ASSEMBLY MAIN DOOR.....	6
MAIN DOOR ASSEMBLY-INTERIOR PARTS.....	8
LAMP PANEL DOOR ASSEMBLY.....	12
CONTROL PANEL ASSEMBLY.....	16
INNER DOOR ASSEMBLY.....	18
WIRING HARNESS.....	20
HINGES AND HANDLES.....	22
CABINET AND VEND MECHANISM.....	24
TWO BAR LINKAGE ASSEMBLY AND JOURNALS.....	46
REFRIGERATION SYSTEM.....	48

PARTS LIST - MAGNUM - FLAT
CONTENTS

MAIN DOOR ASSEMBLY - MAGNUM.....	58
MAIN DOOR WELDED ASSEMBLY - MAGNUM.....	59
CONTROL PANEL ASSEMBLY - MAGNUM.....	60
SIGN AND DELIVERY PORT AREA - MAGNUM.....	64
PROTECTIVE PLATE AND INTERIOR MAIN DOOR PARTS - MAGNUM.....	66
FLUORESCENT LAMPS FOR MAGNUMS SERIALIZED 2679 THRU 2751.....	68
FLUORESCENT LAMPS FOR MAGNUMS SERIALIZED 2752 AND HIGHER.....	70
INNER DOOR ASSEMBLY.....	18
WIRING HARNESS.....	20
HINGES AND HANDLES.....	22
CABINET AND VEND MECHANISM.....	24
TWO BAR LINKAGE ASSEMBLY AND JOURNALS.....	46
REFRIGERATION SYSTEM.....	48

PARTS LIST - MAGNUM - CIRCULAR
CONTENTS

MAIN DOOR ASSEMBLY - MAGNUM CIRCULAR.....	72
MAIN DOOR WELDED ASSEMBLY - MAGNUM CIRCULAR.....	74
INNER DOOR ASSEMBLY.....	18
CONTROL PANEL ASSEMBLY PARTS.....	60
FLUORESCENT LAMPS - MAGNUM CIRCULAR.....	76
DISCHARGE ASSEMBLY - MAGNUM CIRCULAR.....	78
WIRING HARNESS.....	20
HINGES AND HANDLES.....	22
CABINET AND VEND MECHANISM.....	24
TWO BAR LINKAGE ASSEMBLY AND JOURNALS.....	46
REFRIGERATION SYSTEM.....	48

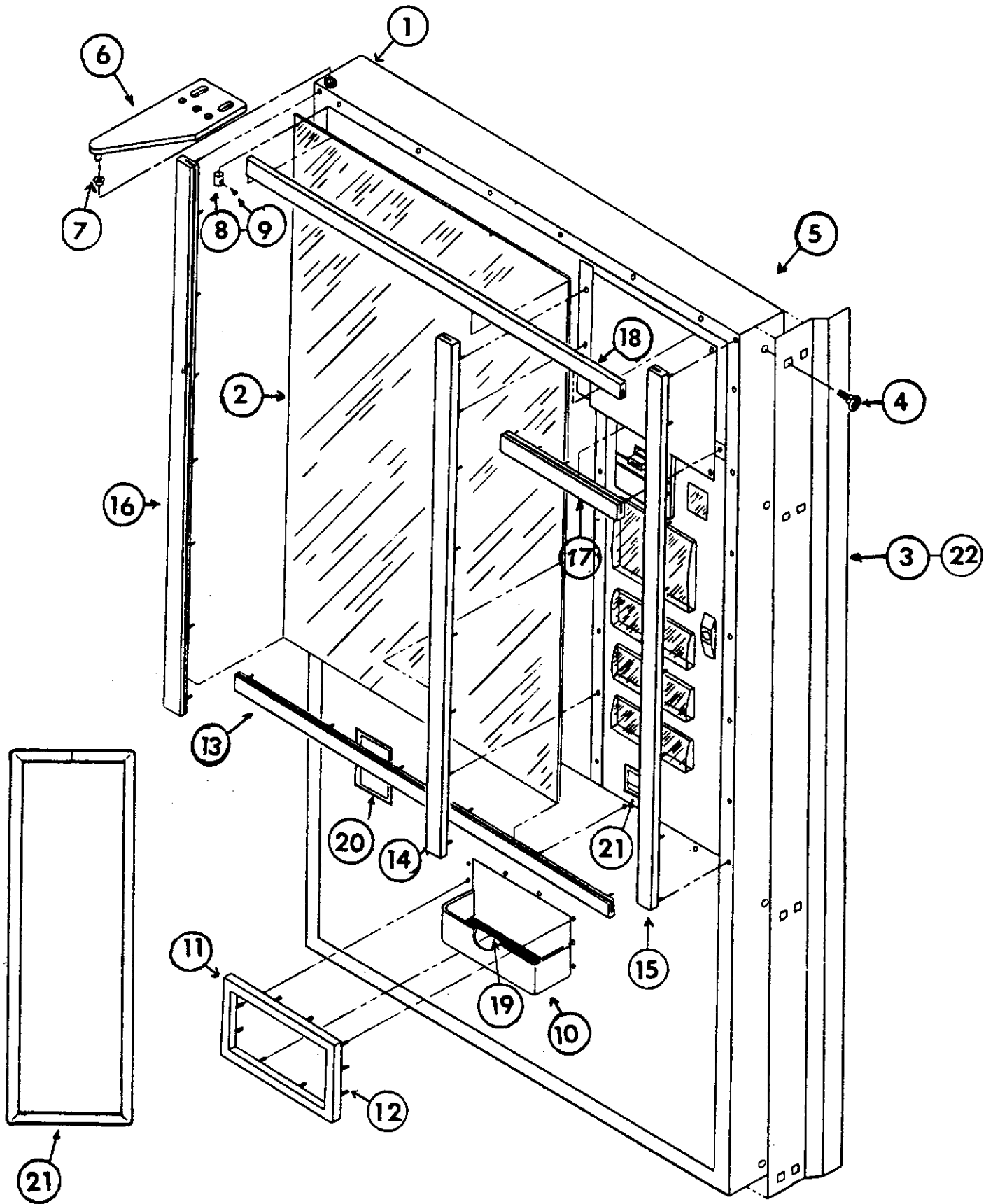
PARTS LIST - CENTURY II
CONTENTS

MAIN DOOR ASSEMBLY - CENTURY II.....	80
MAIN DOOR WELDED ASSEMBLY - CENTURY II.....	82
INNER DOOR ASSEMBLY.....	18
MAIN DOOR PARTS - CENTURY II.....	84
MAIN DOOR INTERIOR PARTS - CENTURY II.....	86
MAIN DOOR PARTS ACCESS AREAR - CENTURY II.....	88
WIRING HARNESS.....	20
HINGES AND HANDLES.....	22
CABINET AND VEND MECHANISM.....	24
TWO BAR LINKAGE ASSEMBLY AND JOURNALS.....	46
REFRIGERATION SYSTEM.....	48

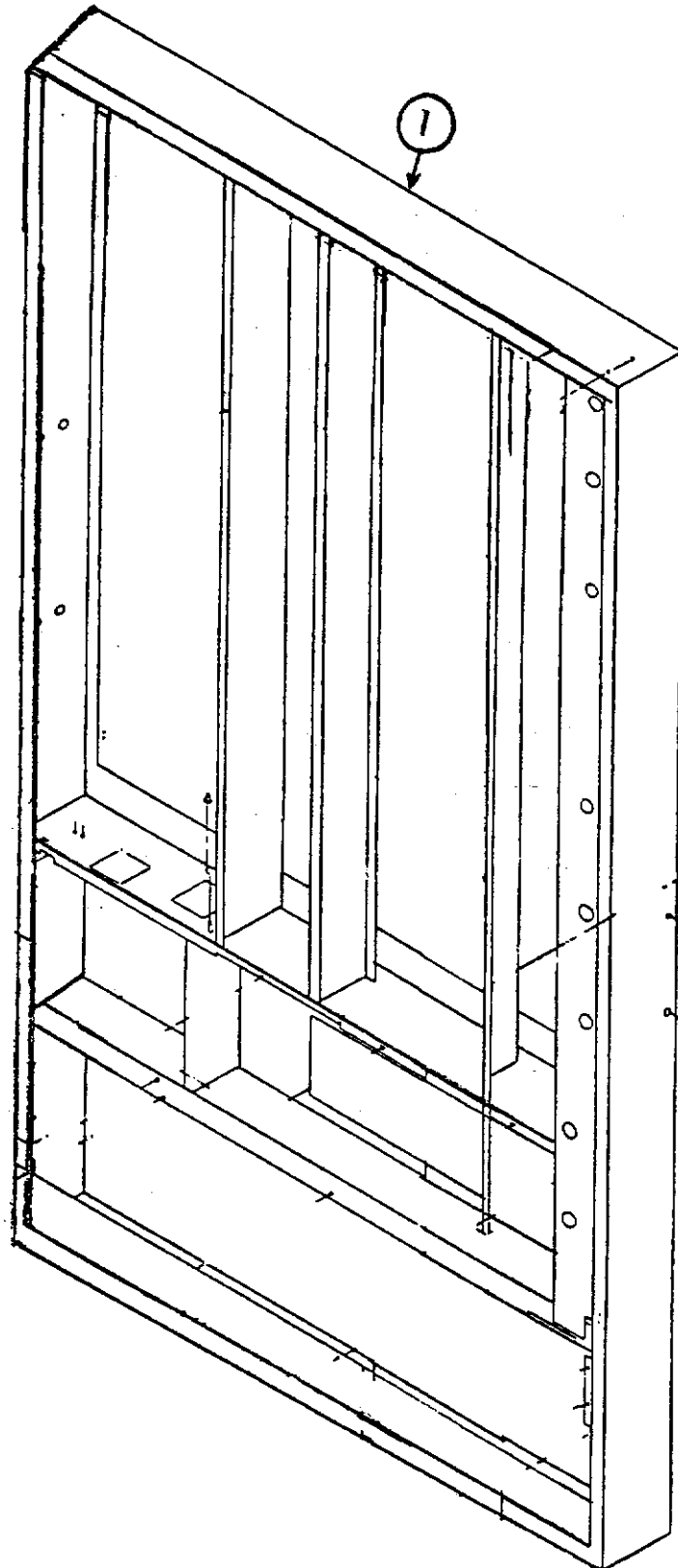
PARTS LIST - LANDSCAPE COKE
CONTENTS

MAIN DOOR ASSEMBLY - LANDSCAPE COKE.....	90
MAIN DOOR WELDED ASSEMBLY - LANDSCAPE COKE.....	90
SIGN AND TRIM - LANDSCAPE COKE.....	92
MAIN DOOR ASSEMBLY INTERIOR PARTS - LANDSCAPE COKE.....	94
ACCESS DOOR - LANDSCAPE COKE.....	98
PULL OUT HANDLE AND COIN INSERT ASSEMBLY - LANDSCAPE COKE.....	100
CONTROL PANEL ASSEMBLY - LANDSCAPE COKE.....	102
LIGHT ASSEMBLY - LANDSCAPE COKE.....	106
INNER DOOR ASSEMBLY - LANDSCAPE COKE.....	108
CABINET WIRING HARNESS - LANDSCAPE COKE.....	110
HINGES.....	22
CABINET AND VEND MECHANISM.....	24
TWO BAR LINKAGE ASSEMBLY AND JOURNALS.....	46
REFRIGERATION SYSTEM.....	48

MAIN DOOR ASSEMBLY



WELDED ASSEMBLY MAIN DOOR

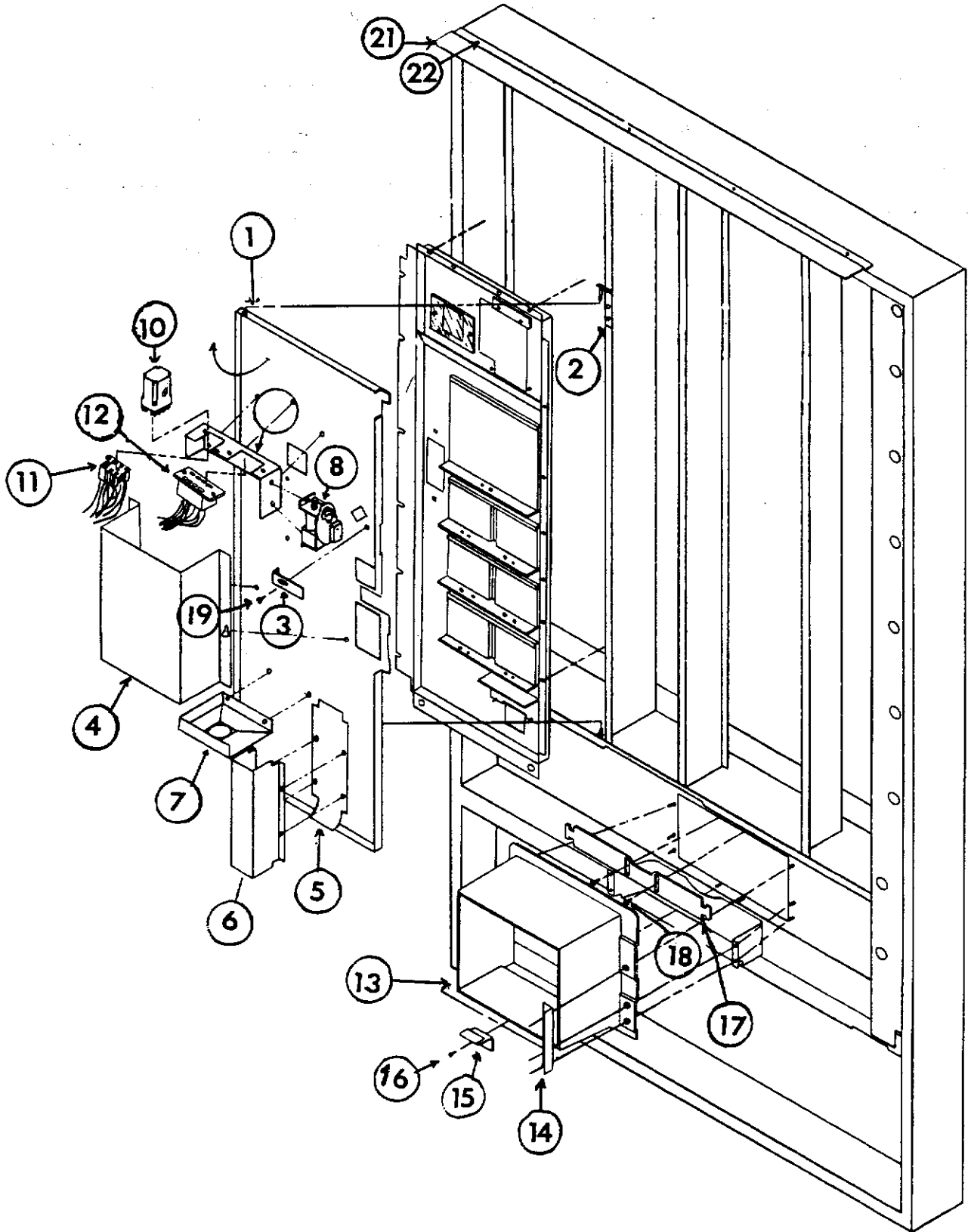


WELDED ASSEMBLY MAIN DOOR

Item No.	PART NUMBER	PART NAME AND DESCRIPTION
1	Indicate Model #, Serial #, & Trademark	Main Door W/A (only) with Vinyl installed

WHEN ORDERING PARTS INDICATE MODEL # AND SERIAL # OF VENDER.
 ALL PRICES ARE SUBJECT TO CHANGE WITHOUT NOTICE.

MAIN DOOR ASSEMBLY - INTERIOR PARTS

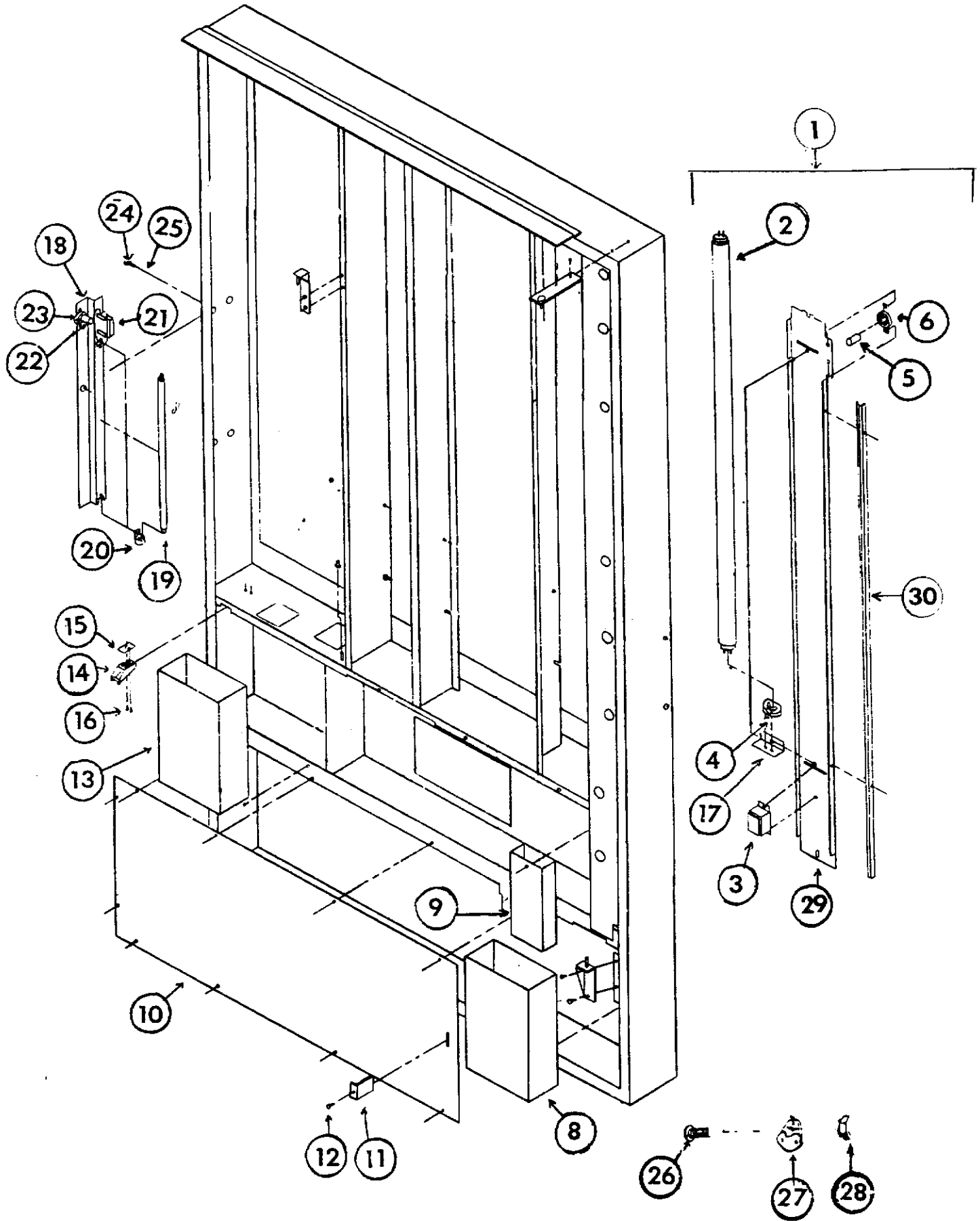


MAIN DOOR ASSEMBLY - INTERIOR PARTS

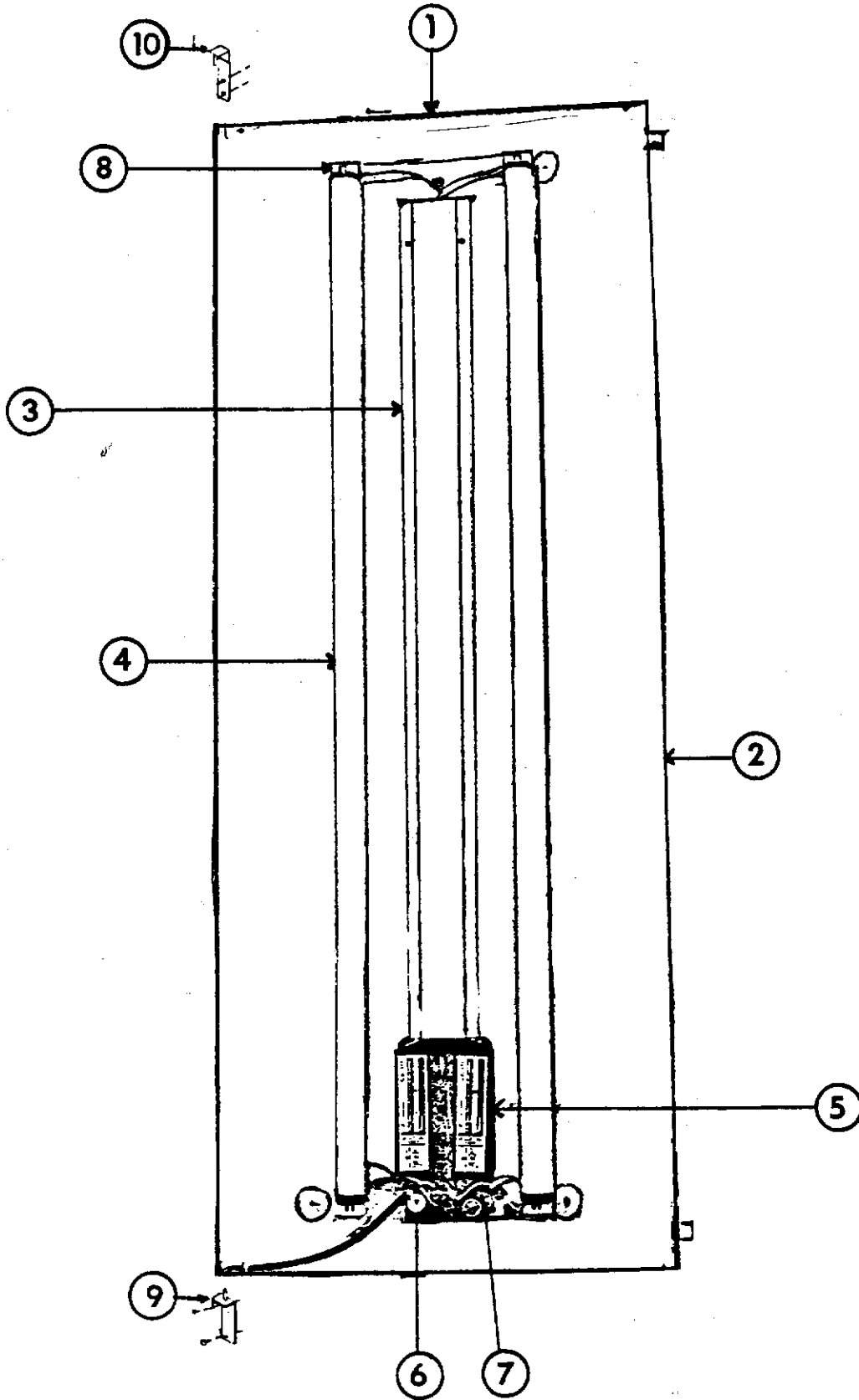
Item No.	PART NUMBER	PART NAME AND DESCRIPTION
1	C267,050,072.33	Access Door-Indicate Model # & Serial #
2	A275,050,100.03	Hinge W/A-Indicate Model # & Serial #
3	A267,050,170.13	Latch
4	B267,050,430.13	Changer Guard
5	B267,050,570.13	Back Coin Chute
6	B267,050,920.13	Coin Chute
7	801,804,300.01	Change Hopper
8	804,200,190.01	Vend Sequencer
9	B176,150,290.43	Relay & Changer Socket Bracket
10	804,200,170.01	Relay - Plug In
11	904,600,620.01	Socket Relay
12	904,600,600.01	Socket Coin Changer
13	801,804,220.01	Delivery Chute
14	B169,050,371.13	Reinforcement Strip
15	A176,150,330.13	Port Retainer
16	900,301,500.01	Screw # 8-1/2"
17	B172,050,031.33	Closure Strip
18	900,300,230.01	Screw # 8 x 1 S/M
19	900,500,261.11	Shoulder Screw
21	164,151,141.53	Rain Guard 36 3/4" Cabinet
22	901,100,500.01	Pop Rivets

WHEN ORDERING PARTS, INDICATE MODEL # AND SERIAL # OF VENDER.
ALL PRICES ARE SUBJECT TO CHANGE WITHOUT NOTICE.

MAIN DOOR ASSEMBLY-INTERIOR PARTS



LAMP PANEL DOOR ASSEMBLY

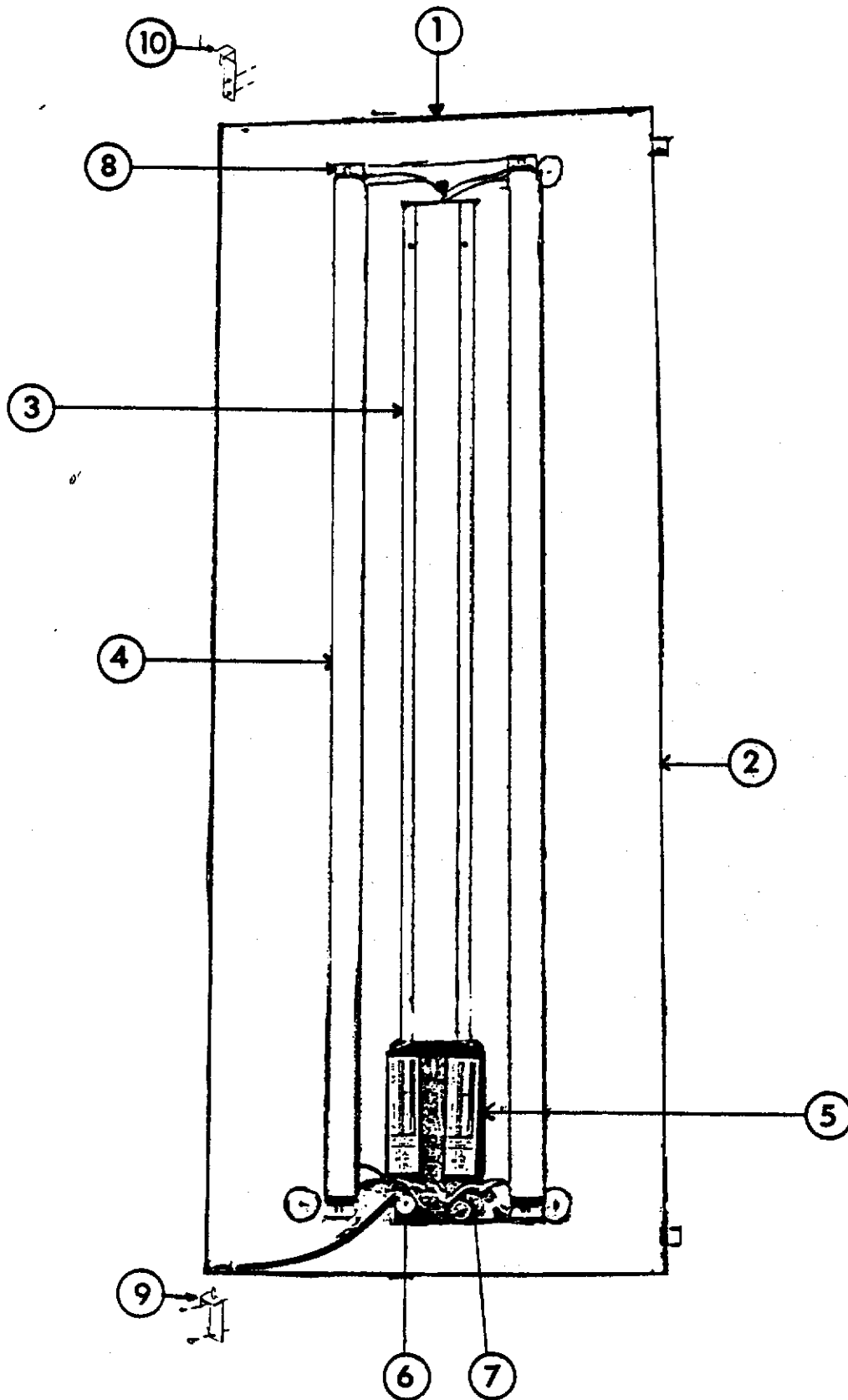


LAMP PANEL DOOR ASSEMBLY-S/N2452 & Higher
DNCB 276 / 162

Item No.	PART NUMBER	PART NAME AND DESCRIPTION
1	D278,050,100.03	Lamp Panel Door Ass'y.
2	D278,050,030.03	Lamp Panel Door Only
3	B270,050,070.03	Wire Cover
4	804,700,260.01	Lamp Bulb (30W) (36" Long)
5	804,400,140.01	Ballast - S40BP
6	904,800,540.01	Starter FS-4
7	904,900,710.01	Starter Socket
8	904,901,230.01	Lamp Holder
9	A267,051,500.03	Bottom Hinge - Lamp Panel Door
10	A275,050,100.03	Top Hinge - Lamp Panel Door
DNCB 240 / 138		
1	D276,050,100.03	Lamp Panel Door Ass'y.
2	D276,050,040.03	Lamp Panel Door Only
3	B270,050,070.03	Wire Cover
4	804,700,150.01	Lamp - Bulb (25W) (33" Long)
5	804,400,160.01	Ballast - SP 25 B
6	904,800,410.01	Starter FS 25
7	904,900,710.01	Starter Socket
8	904,901,230.01	Lamp Holder
9	A267,051,500.03	Bottom Hinge - Lamp Panel Door
10	A275,050,100.03	Top Hinge - Lamp Panel Door
DNCB168/99, 180/105		
1	D275,050,500.03	Lamp Panel Door Ass'y.
2	D275,050,220.13	Lamp Panel Door Only
3	B275,050,210.03	Wire Cover
4	804,700,050.01	Lamp Bulb (20W) (24" Long)
5	804,400,160.01	Ballast - SP25B
6	904,800,410.01	Starter FS-25
7	904,900,710.01	Starter Socket
8	904,901,230.01	Lamp Holder
9	A267,051,500.03	Bottom Hinge - Lamp Panel Door
10	A275,050,100.03	Top Hinge - Lamp Panel Door

WHEN ORDERING PARTS INDICATE MODEL # AND SERIAL # OF VENDER
ALL PRICES ARE SUBJECT TO CHANGE WITHOUT NOTICE.

LAMP PANEL DOOR ASSEMBLY



LAMP PANEL DOOR ASSEMBLY - S/N2452 & Higher

DNCB440/252, 432/246, 414/239, 630T/360, 600T/340, 630/360

Item No.	PART NUMBER	PART NAME AND DESCRIPTION
1	C267,052,100.03	Lamp Panel Door Ass'y.
2	D267,050,660.03	Lamp Panel Door Only
3	B267,050,630.03	Wire Cover
4	804,700,250.01	Lamp Bulb (40W) (48" Long)
5	804,400,140.01	Ballast - S40BP
6	904,800,540.01	Starter FS-4
7	904,900,710.01	Starter Socket
8	904,901,230.01	Lamp Holder
9	A267,051,500.03	Bottom Hinge - Lamp Panel Door
10	A275,050,100.03	Top Hinge - Lamp Panel Door

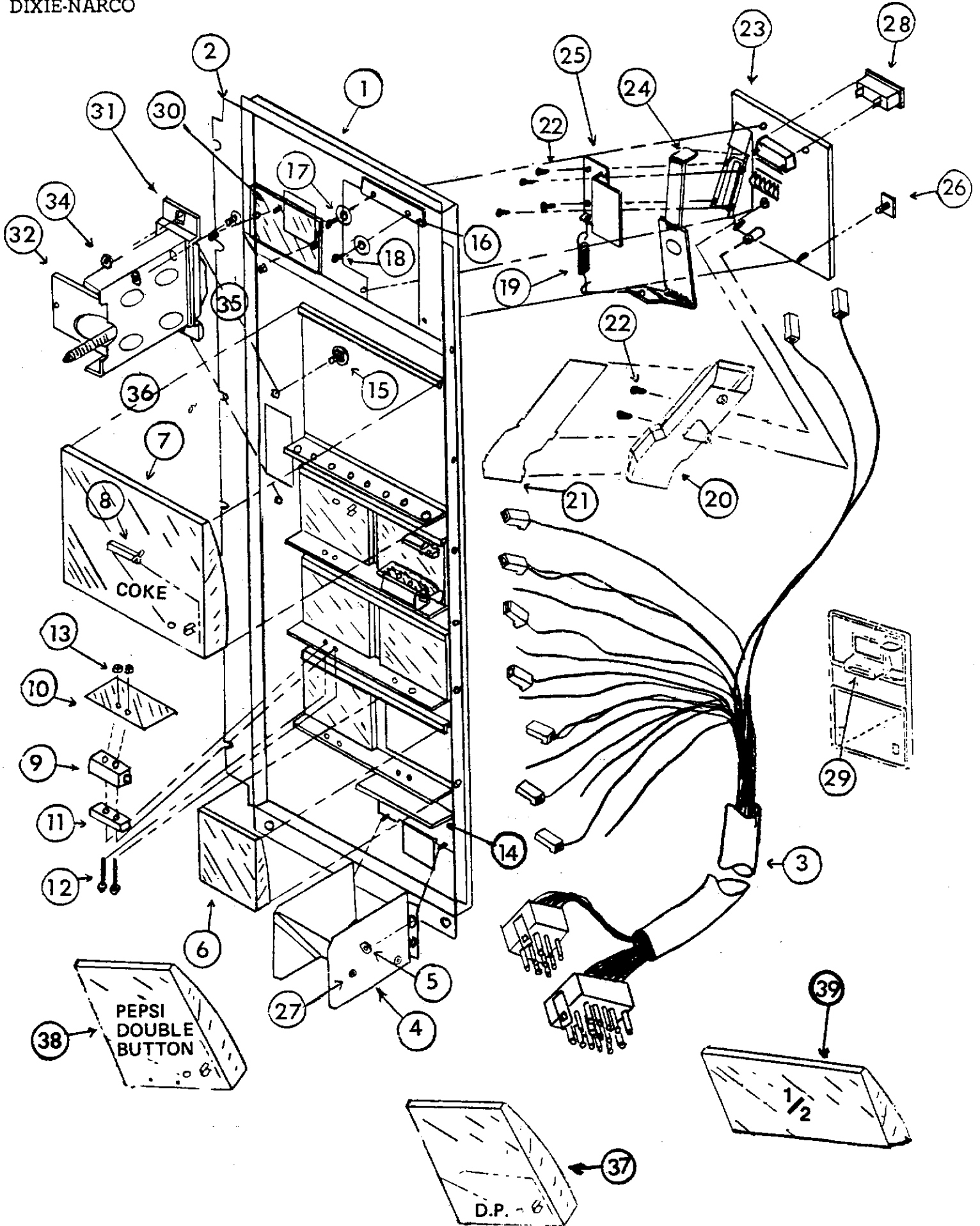
DNCB368/216, 360/210, 348/206, 501T/280, 522T/300

1	C270,050,300.03	Lamp Panel Door Ass'y.
2	D270,050,090.03	Lamp Panel Door Only
3	B270,050,070.03	Wire Cover
4	804,700,260.01	Lamp - Bulb (30W) (36" Long)
5	804,400,140.01	Ballast - S40BP
6	904,800,540.01	Starter FS-4
7	904,900,710.01	Starter Socket
8	904,901,230.01	Lamp Holder
9	A267,051,500.03	Bottom Hinge - Lamp Panel Door
10	A275,050,100.03	Top Hinge - Lamp Panel Door

DNCB320/184, 304/174, 432T/252

1	C272,050,200.03	Lamp Panel Door Ass'y.
2	D272,050,090.03	Lamp Panel Door Only
3	B270,050,070.03	Wire Cover
4	804,700,150.01	Lamp Bulb (25W) (33" Long)
5	804,400,160.01	Ballast - SP25B
6	904,800,410.01	Starter FS-25
7	904,900,710.01	Starter Socket
8	904,901,230.01	Lamp Holder
9	A267,051,500.03	Bottom Hinge - Lamp Panel Door
10	A275,050,100.03	Top Hinge - Lamp Panel Door

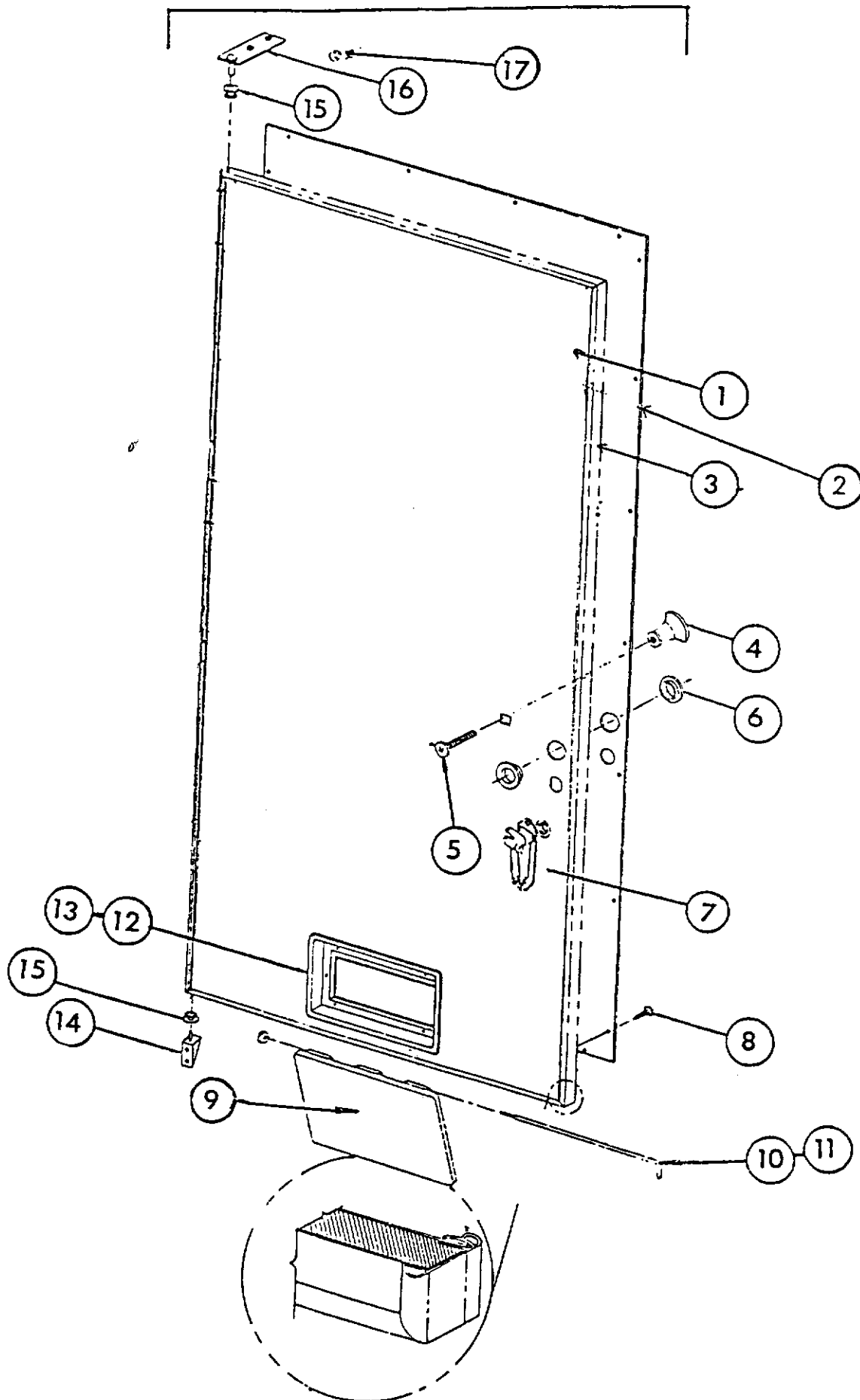
WHEN ORDERING PARTS, INDICATE MODEL # AND SERIAL # OF VENDER.
ALL PRICES ARE SUBJECT TO CHANGE WITHOUT NOTICE.



Item No.	PART NUMBER	PART NAME AND DESCRIPTION
1	Indicate Model # Serial # & Trademark	Control Panel Ass'y. - Includes Items 1-36
2	Indicate Model # Serial # & Trademark	Control Panel W/A
3	Indicate Model # Serial # & Trademark	Wiring Harness Assembly
4	360,051,500.03	Coin Return Cup Assembly
5	900,800,500.01	Keps Nut 8-32
6	801,804,510.01	Select Button (Little Square) 3" x 2 1/4"
7	801,805,480.01	Lg. Rect. Clear Button 5 1/2" x 6 3/4"
8	804,700,210.01	Lamp, Sold Out
9	804,100,510.01	Switch, Select
10	801,804,620.01	Switch Shield & Spring
11	A901,804,540.01	Button Stop
12	900,201,310.01	Machine Screw
13	900,800,490.01	Keps Nut #6-32
14	A267,050,610.13	Cover Change Cup
15	900,201,200.01	Carriage Bolt & Nut
16	A143,051,220.73	Retainer, Coin Insert
17	900,700,020.01	Washer Flat
18	900,300,160.01	Screw #6 S/M
19	901,700,630.11	Spring Coin Return
20A	801,805,380.01	Coin Chute,
20B	801,805,510.01	Coin Chute, 10 column Coke Venders
21A	801,805,370.11	Cover Coin Chute,
21B	801,805,520.01	Cover, Coin Chute, 10 column Coke
22	900,300,110.01	Screw S/M
23	D801,200,920.21	Coin Insert Only
24A	B801,303,610.61	Plunger Coin Return
24B	B356,050,200.03	W/A Plunger Coin Return Plunger Coin Return 10 Column Coke only
25	A208,050,120.53	Plunger, Retainer
26	902,700,160.02	Tee Bolts - 8-32 x 1/2"
27	901,100,390.01	Pop Rivets
28	904,700,180.31	Lamp, Correct Change
29A	B/M213,010,600.04 (Items 16-28)	Coin Insert Assembly - Complete
29B	B/M356,050,300.03	Coin Insert Ass'y. Complete 10 Col. Coke only
30	C801,804,550.01	Price Window
31	B267,050,480.13	Handle Mount
32	B267,050,191.33	Brace Tee Handle
33	Not Needed	
34	900,800,670.01	Keps Nut
35	900,901,510.02	Machine Screw
36	900,800,650.01	Keps Nut
37	801,804,430.01	Select Button (Large Square) D.P. 5 1/2" x 5 1/2"
38	801,805,010.01	Select Button Double Button 5 1/2" x 5 1/2"
39	801,804,820.01	Select Button (1/2) 2 3/4" x 7"

WHEN ORDERING PARTS, INDICATE MODEL # AND SERIAL # OF VENDER.
ALL PRICES ARE SUBJECT TO CHANGE WITHOUT NOTICE.

INNER DOOR

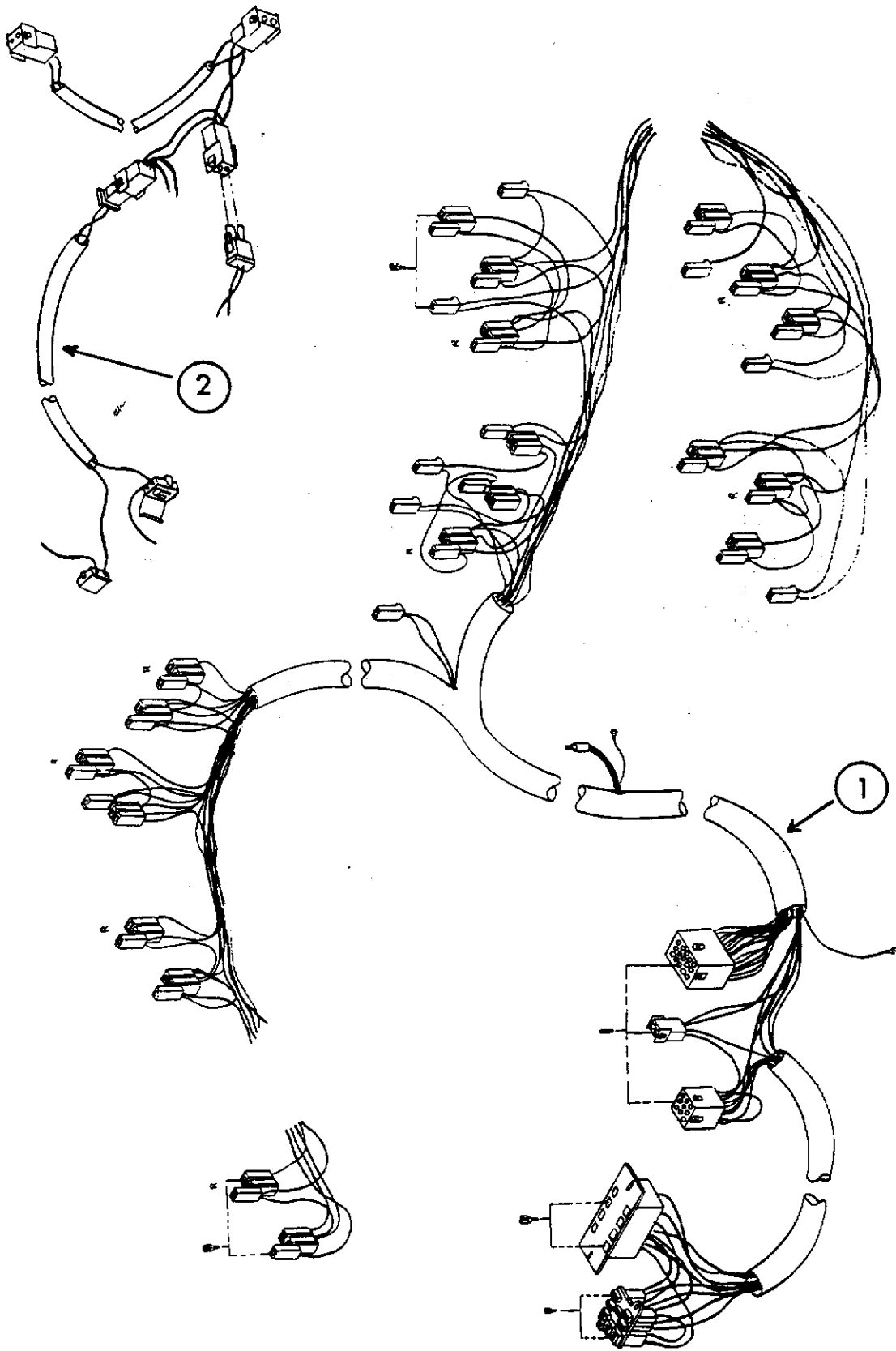


INNER DOOR ASSEMBLY

Item No.	PART NUMBER	PART NAME AND DESCRIPTION
1	Indicate Model #, Serial #, & Trademark	Inner Door Assembly
2	Indicate Model #, Serial #, & Trademark	Rear Panel, Replacement
3	Indicate Model #, Serial #, & Trademark	Gasket Inner Door
4	901,501,700.01	Knob
5	900,201,230.01	Carriage Bolt 1/4-20
6	901,901,360.01	Snap Bushing
7	801,501,610.11	Burst Open Latch
8	900,301,500.01	Screw, Self Drilling # 8 x 1/2"
9	801,804,200.01	Delivery Door
10	900,502,301.11	Hinge Pin
11	900,800,580.01	Lock Nut, Elastic
12	801,804,210.01	Frame Inner Door
13	901,100,460.01	Pop Rivet
14	A169,051,101.33	Inner Door Hinge, Bottom
15	901,803,710.01	Nyliner, Door Hinge
16	A169,053,001.03	Inner Door Hinge, Top
17	900,800,650.01	Keys Nut

WHEN ORDERING PARTS, INDICATE MODEL # AND SERIAL # OF VENDER.
 ALL PRICES ARE SUBJECT TO CHANGE WITHOUT NOTICE.

WIRING HARNESS

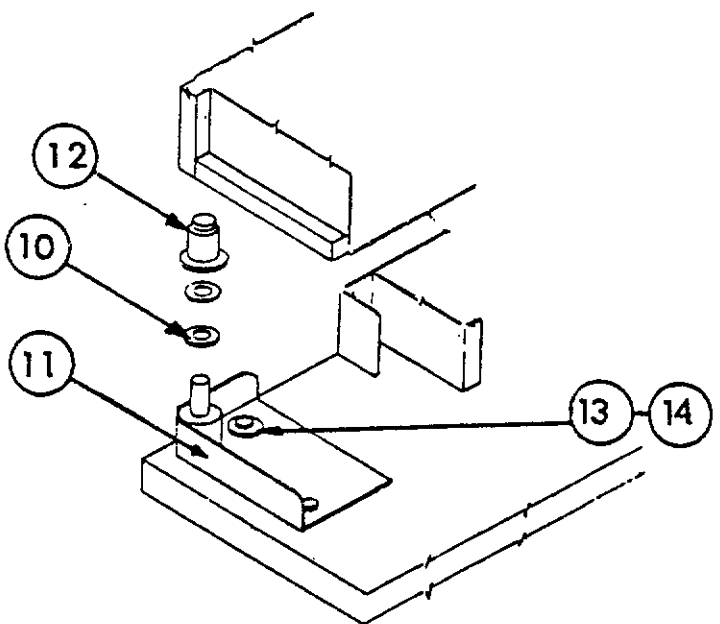
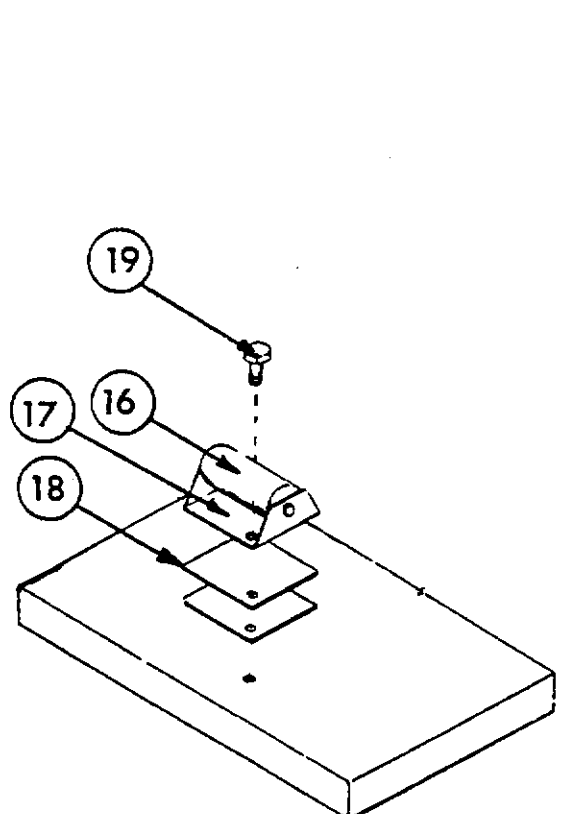
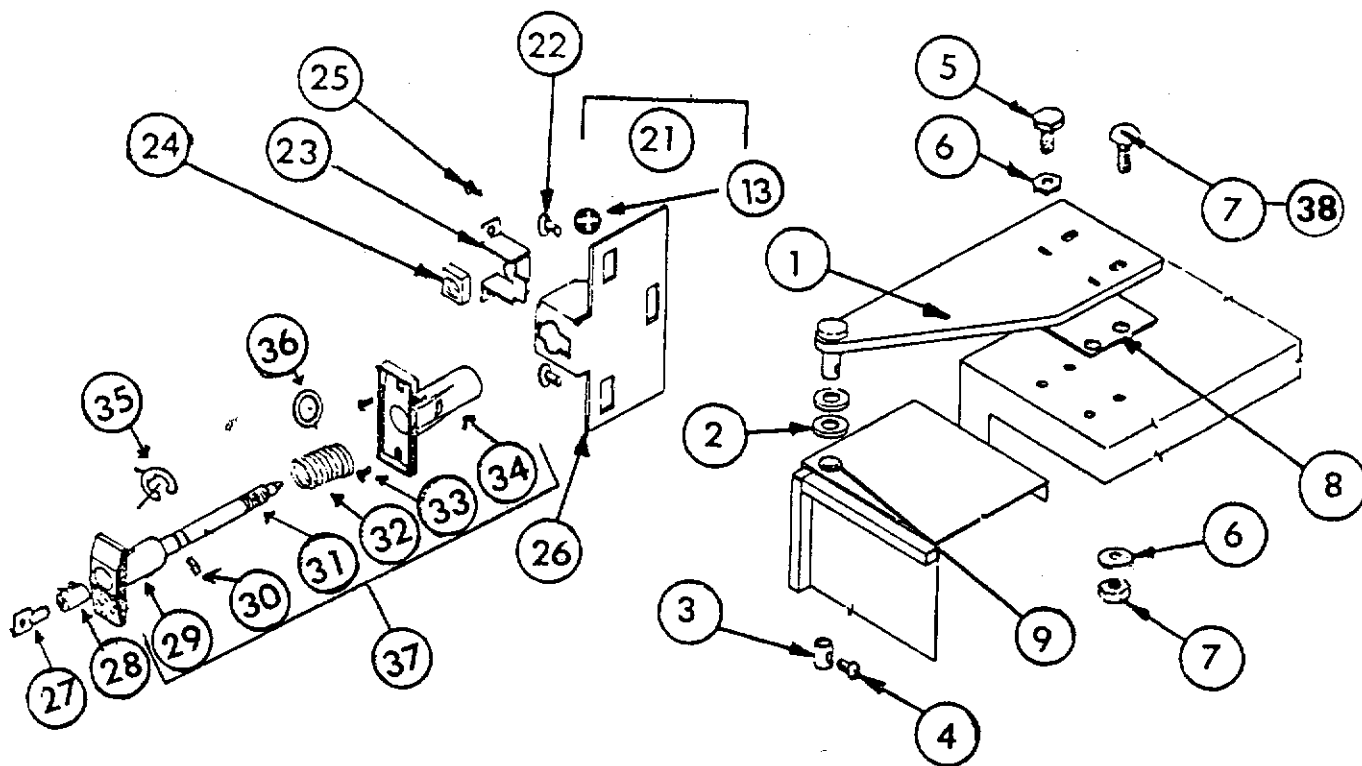


WIRING HARNESS

Item No.	PART NUMBER	PART NAME AND DESCRIPTION
1	Indicate Model #, Serial # & Trademark	Wiring Harness Cabinet-Door
2	B267,051,800.03	Jump Lamp Panel

WHEN ORDERING PARTS, INDICATE MODEL # AND SERIAL # OF VENDER.
ALL PRICES ARE SUBJECT TO CHANGE WITHOUT NOTICE.

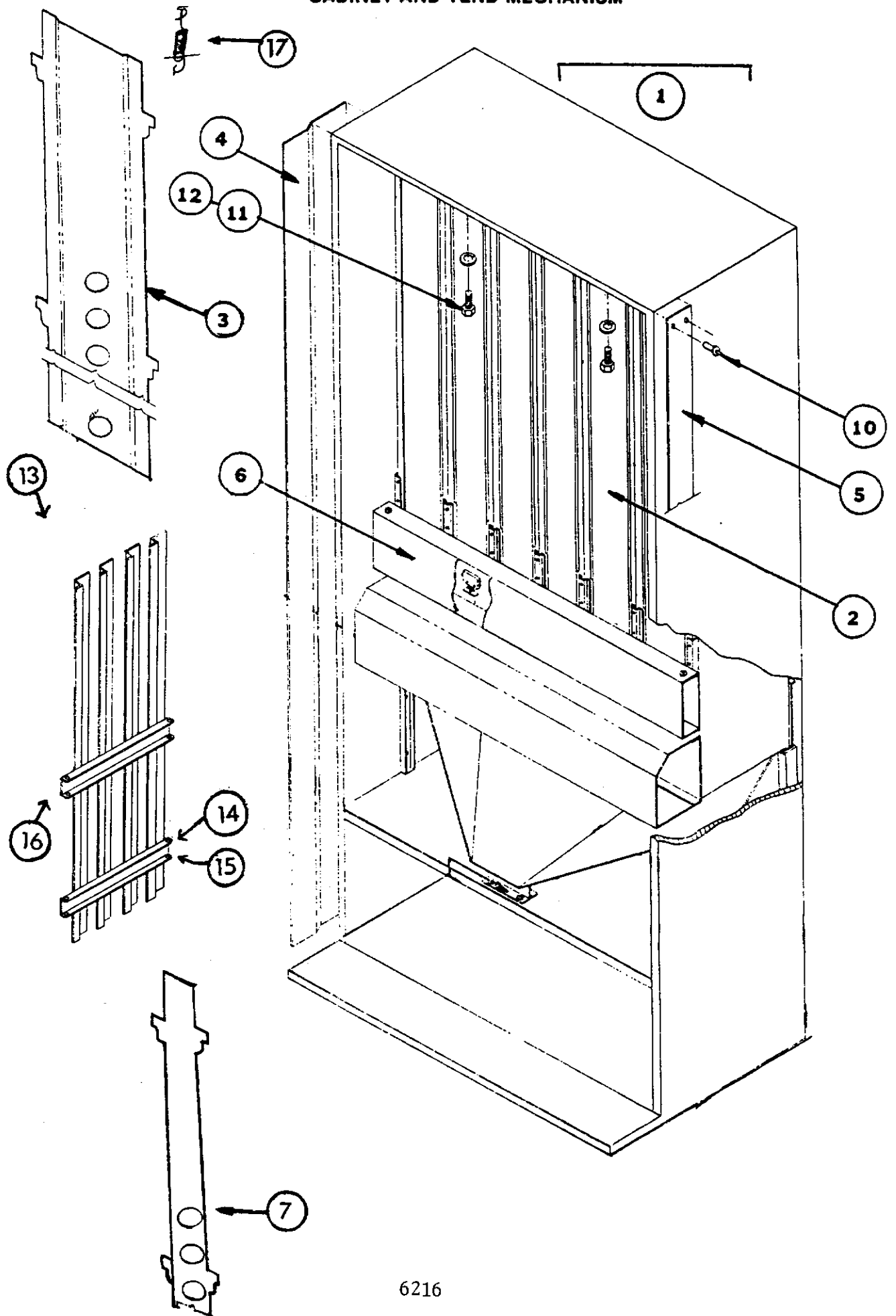
DNCB HINGES ASSY. LIFTER, ROLLER,
PULL OUT HANDLE - LOCK & KEYS



Item No.	PART NUMBER	PART NAME AND DESCRIPTION
1	B801,501,710.31	Top Hinge
2	900,700,600.01	Flat Washer
3	A800,502,030.01	Collar, Hinge Pin
4	A900,201,260.01	Lock Screw
5	900,301,710.01	Screw 1/4 - 20 Self Tapping
6	903,000,070.02	Lockwasher, 1/4-20
7	900,201,170.01	Carriage Bolt
8	A169,000,150.13	Hinge Spacer
9	801,803,150.01	Bearing Nyliner
10	900,700,530.01	Washer
11	B169,000,100.93	Bottom Hinge, W/A
12	A901,800,330.51	Flanged Bushing
13	900,700,710.01	Lockwasher-Pyramidal Type
14	900,301,730.01	Screw 1/4 x 20 Self Tapping
16	A801,801,330.51	Roller
17	A142,161,700.63	Assembly Lifter & Roller
18	A142,160,580.43	Spacer, Roller Bracket
19	900,901,510.02	Screw, machine 10-32 x 5/8
21	B169,000,080.93	Latch Strike Assembly
22	900,301,730.01	Screw, machine 1/4 x 20 Self Tapping
23	B801,303,320.61	Nut, Housing
24	A900,800,570.11	Nut
25	900,301,560.01	Screw
26	B176,150,160.33	Nut Retainer Housing
27	Specify Key Number	Keys Only - Specify Trademark
28	Specify Key Number	Lock w/2 Keys - Specify Trademark
29		Handle
30	20-31	Pin
31	Indicate Model #, Serial #, & Trademark	Stud
32	901,700,640.01	Spring
33	900,901,510.02	Screws, 10-32 x 5/8"
34		Body
35	31-5	C-Clip
36	900,700,760.01	Washer
37	Indicate Model #, Serial #, & Trademark	Handle Ass'y. (Items 29-36)
38	900,800,670.01	Keps Nut (1/4-20)

WHEN ORDERING PARTS, INDICATE MODEL # AND SERIAL # OF VENDER.
ALL PRICES ARE SUBJECT TO CHANGE WITHOUT NOTICE.

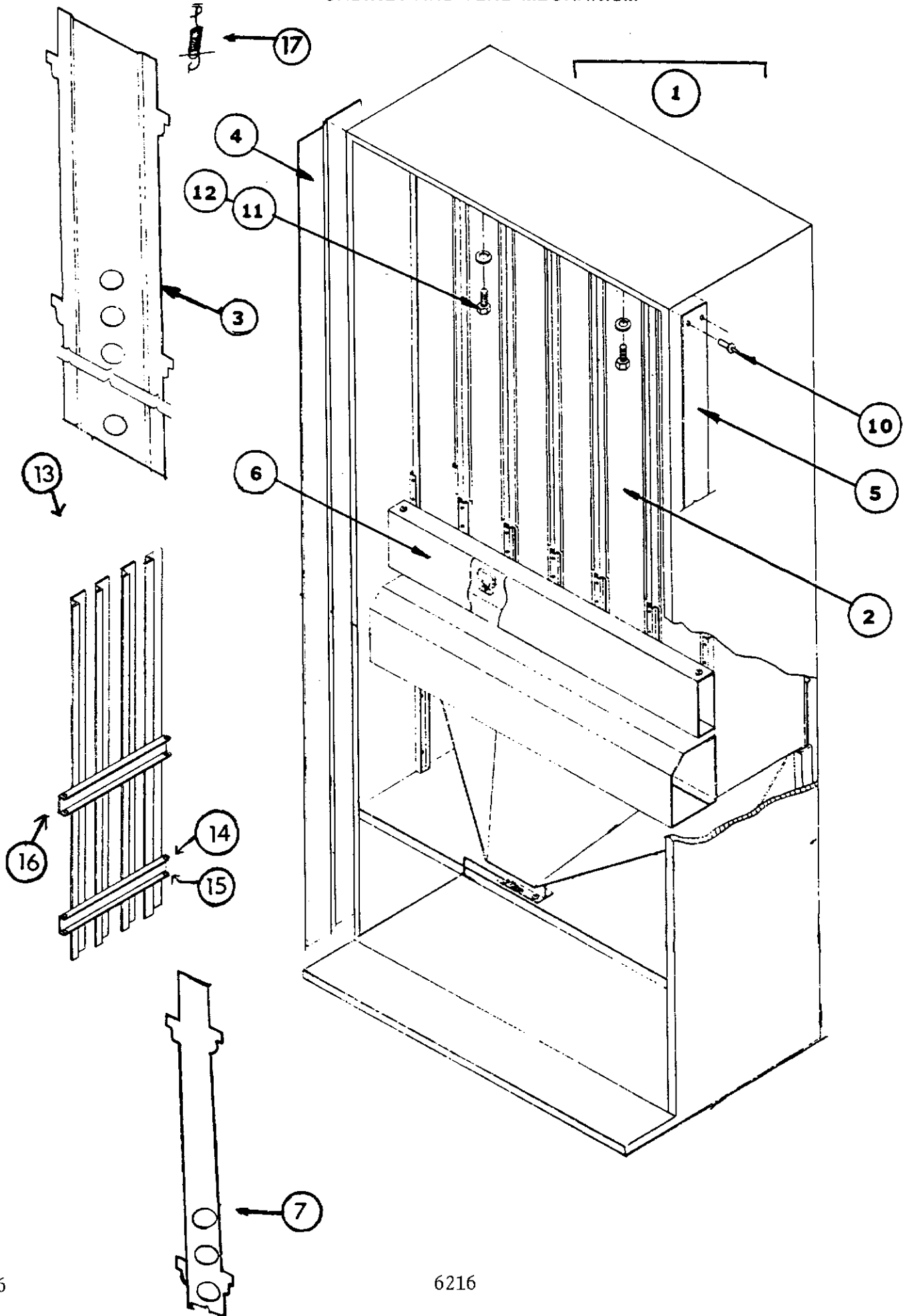
CABINET AND VEND MECHANISM



Item No.	PART NUMBER	PART NAME AND DESCRIPTION
DNCB 168/99-5 & -6		
1	D154,060,001.73	Cabinet Ass'y. Less Stack
2	F275,070,000.03	Vend Mechanism Complete -5
2b	F291,070,000.03	Vend Mechanism Complete -6
3	C275,070,200.03	Bottle Guide Standard Column
4	C168,000,030.83	Protective Plate L.S. Cabinet
5	C168,000,040.83	Protective Plate R.S. Cabinet
6	F275,071,000.03	Stack w/Ass'y. w/Gate Installed
7	C275,070,300.03	Bottle Guide Narrow Column
10	901,100,440.01	Drive Rivet 1/4
11	900,301,730.01	Screw 1/4 - 20 Self Tapping
12	900,700,080.01	Washer
13	B275,070,100.13	W/A Gate
14	A231,070,300.03	W/A Gate Hinge
15	901,100,390.01	Pop Rivet
16	A231,070,260.03	Gate Latch
17	901,700,690.51	Spring, Rear Guide
DNCB 240/138-5 & -6		
1	D155,060,001.73	Cabinet Ass'y. Less Stack
2	F276,070,000.03	Vend Mechanism Complete -5
2b	F289,070,000.03	Vend Mechanism Complete -6
3	C272,070,200.03	Bottle Guide Standard Column
4	C166,000,030.93	Protective Plate L.S. Cabinet
5	B166,000,040.83	Protective Plate R.S. Cabinet
6	F276,071,000.03	Stack w/Ass'y. w/Gate Installed
7	C272,070,300.03	Bottle Guide Narrow Column
10	901,100,440.01	Drive Rivet 1/4
11	900,301,730.01	Screw 1/4-20 Self Tapping
12	900,700,080.01	Washer
13	C276,070,100.03	W/A Gate
14	A231,070,300.03	W/A Gate Hinge
15	901,100,390.01	Pop Rivet
16	A231,070,260.03	Gate Latch
17	901,700,690.51	Spring, Rear Guide
DNCB 276/162-5 & -6		
1	D215,060,000.23	Cabinet Ass'y. Less Stack
2	F278,070,000.03	Vend Mechanism Complete -5
2b	F292,070,000.03	Vend Mechanism Complete -6
3	C270,070,200.03	Bottle Guide Standard Column
4	C165,000,030.73	Protective Plate L.S. Cabinet
5	B165,000,040.73	Protective Plate R.S. Cabinet
6	F278,071,000.03	Stack w/Ass'y. w/Gate Installed
7	C270,070,300.03	Bottle Guide Narrow Column
10	901,100,440.01	Drive Rivet 1/4
11	900,301,730.01	Screw 1/4-20 Self Tapping
12	900,700,080.01	Washer
13	C278,070,100.03	W/A Gate
14	A231,070,300.03	W/A Gate Hinge
15	901,100,390.01	Pop Rivet
16	A231,070,260.03	Gate Latch
17	901,700,690.51	Spring, Rear Guide

WHEN ORDERING PARTS, INDICATE MODEL # AND SERIAL # OF VENDER.
ALL PRICES ARE SUBJECT TO CHANGE WITHOUT NOTICE.

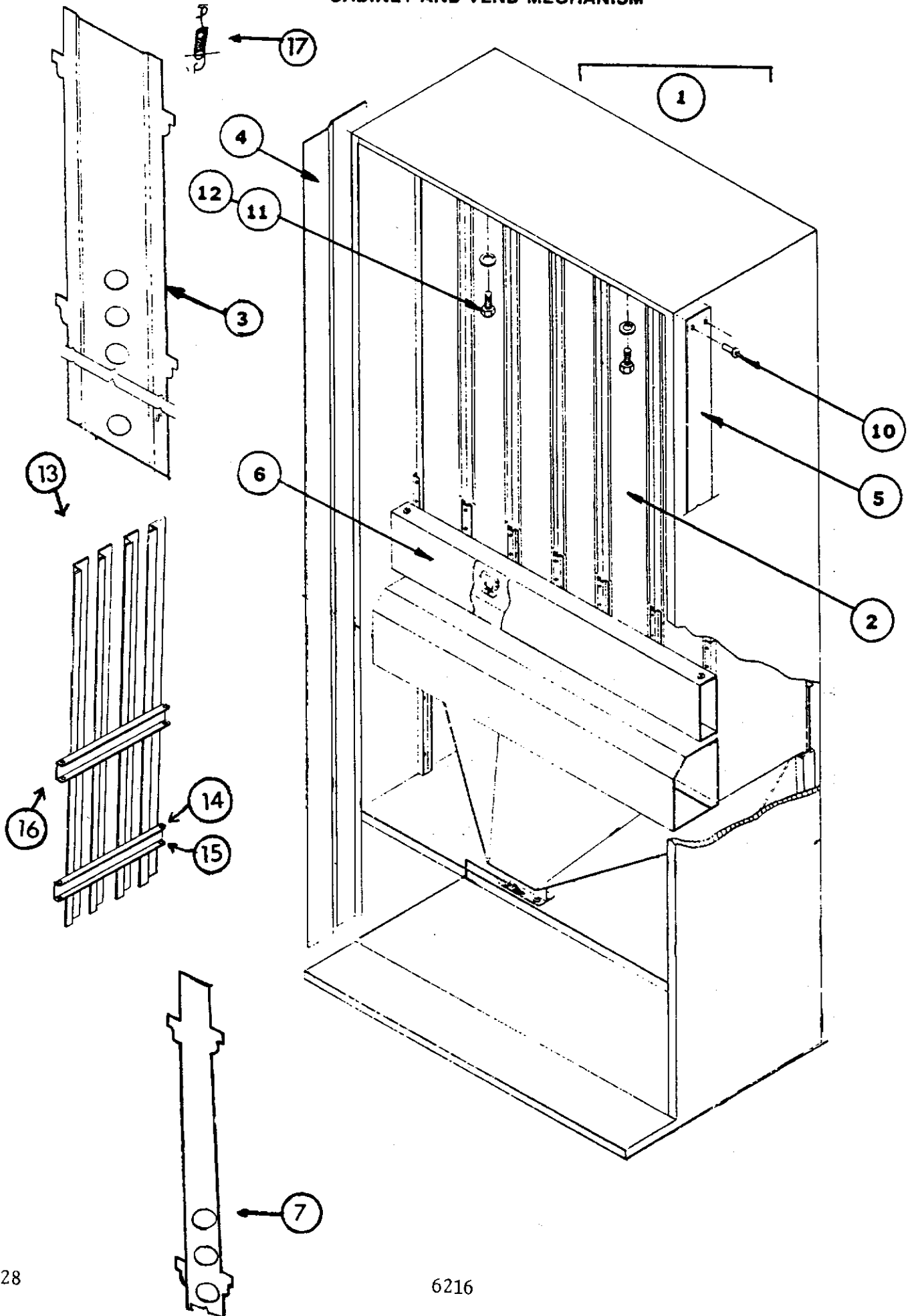
CABINET AND VEND MECHANISM



Item No.	PART NUMBER	PART NAME AND DESCRIPTION
DNCB 330/189-5 & -6		
1	D156,060,001.53	Cabinet Ass'y. Less Stack
2	F279,070,000.03	Vend Mechanism Complete -5
2b	F293,070,000.03	Vend Mechanism Complete -6
3	C267,070,200.03	Bottle Guide Standard Column
4	C164,000,030.93	Protective Plate L.S. Cabinet
5	B164,000,040.93	Protective Plate R.S. Cabinet
6	F279,071,000.03	Stack w/Ass'y. w/Gate Installed
7	C267,070,300.03	Bottle Guide Narrow Column
10	901,100,440.01	Drive Rivet ¼
11	900,301,730.01	Screw ¼ - 20 Self Tapping
12	900,700,080.01	Washer
13	C237,070,500.03 A	W/A Gate
14	A231,070,300.03	W/A Gate Hinge
15	901,100,390.01	Pop Rivet
16	A231,070,260.03	Gate Latch
17	901,700,690.51	Spring, Rear Guide
DNCB 320/184-7 & -8		
1	D166,060,001.13	Cabinet Ass'y. Less Stack
2	F272,070,000.03	Vend Mechanism Complete -7
2b	F277,070,000.03	Vend Mechanism Complete -8
3	C272,070,200.03	Bottle Guide Standard Column
4	C166,000,030.93	Protective Plate L.S. Cabinet
5	B166,000,040.83	Protective Plate R.S. Cabinet
6	F272,071,000.03	Stack w/Ass'y. w/Gate Installed
7	C272,070,300.03	Bottle Guide Narrow Column
10	901,100,440.01	Drive Rivet ¼
11	900,301,730.01	Screw ¼-20 Self Tapping
12	900,700,080.01	Washer
13	C272,070,100.03	W/A Gate
14	A231,070,300.03	W/A Gate Hinge
15	901,100,390.01	Pop Rivet
16	A231,070,260.03	Gate Latch
17	901,700,690.51	Spring, Rear Guide
DNCB 368/216-7 & -8		
1	D165,060,001.23	Cabinet Ass'y. Less Stack
2	F270,070,000.03	Vend Mechanism Complete -7
2b	F274,070,000.03	Vend Mechanism Complete -8
3	C270,070,200.03	Bottle Guide Standard Column
4	C165,000,030.73	Protective Plate L.S. Cabinet
5	B165,000,040.73	Protective Plate R.S. Cabinet
6	F270,071,000.03	Stack w/Ass'y. w/Gate Installed
7	C270,070,300.03	Bottle Guide Narrow Column
10	901,100,440.01	Drive Rivet ¼
11	900,301,730.01	Screw ¼-20 Self Tapping
12	900,700,080.01	Washer
13	C270,070,100.03	W/A Gate
14	A231,070,300.03	W/A Gate Hinge
15	901,100,390.01	Pop Rivet
16	A231,070,260.03	Gate Latch
17	901,700,690.51	Spring, Rear Guide

WHEN ORDERING PARTS, INDICATE MODEL # AND SERIAL # OF VENDER.
ALL PRICES ARE SUBJECT TO CHANGE WITHOUT NOTICE.

CABINET AND VEND MECHANISM



CABINET AND VEND MECHANISM

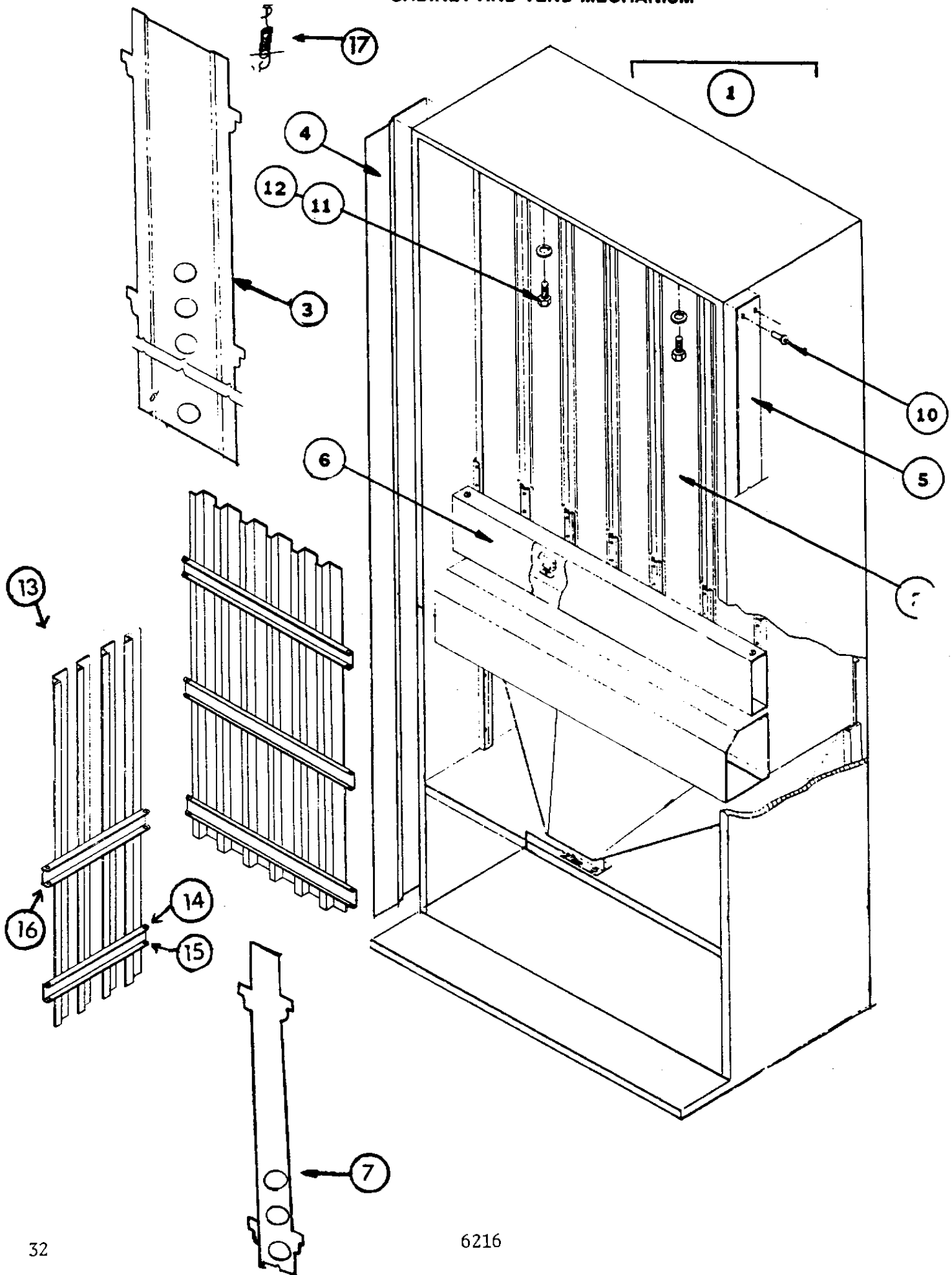
Item No.	PART NUMBER	PART NAME AND DESCRIPTION
		DNCB 440/252-7 & -8
1	D164,060,001.23	Cabinet Ass'y. Less Stack
2	F267,070,000.03	Vend Mechanism Complete -7
2b	F269,070,000.03	Vend Mechanism Complete -8
3	C267,070,200.03	Bottle Guide Standard Column
4	C164,000,030.93	Protective Plate L.S. Cabinet
5	B164,000,040.93	Protective Plate R.S. Cabinet
6	F267,071,000.03	Stack w/Ass'y. w/Gate Installed
7	C267,070,300.03	Bottle Guide Narrow Column
10	901,100,440.01	Drive Rivet 1/4
11	900,301,730.01	Screw 1/4-20 Self Tapping
12	900,700,080.01	Washer
13	C267,070,100.03	W/A Gate
14	A231,070,300.03	W/A Gate Hinge
15	901,100,390.01	Pop Rivet
16	A231,070,260.03	Gate Latch
17	901,700,690.51	Spring, Rear Guide

WHEN ORDERING PARTS, INDICATE MODEL # AND SERIAL # OF VENDER.
ALL PRICES ARE SUBJECT TO CHANGE WITHOUT NOTICE.

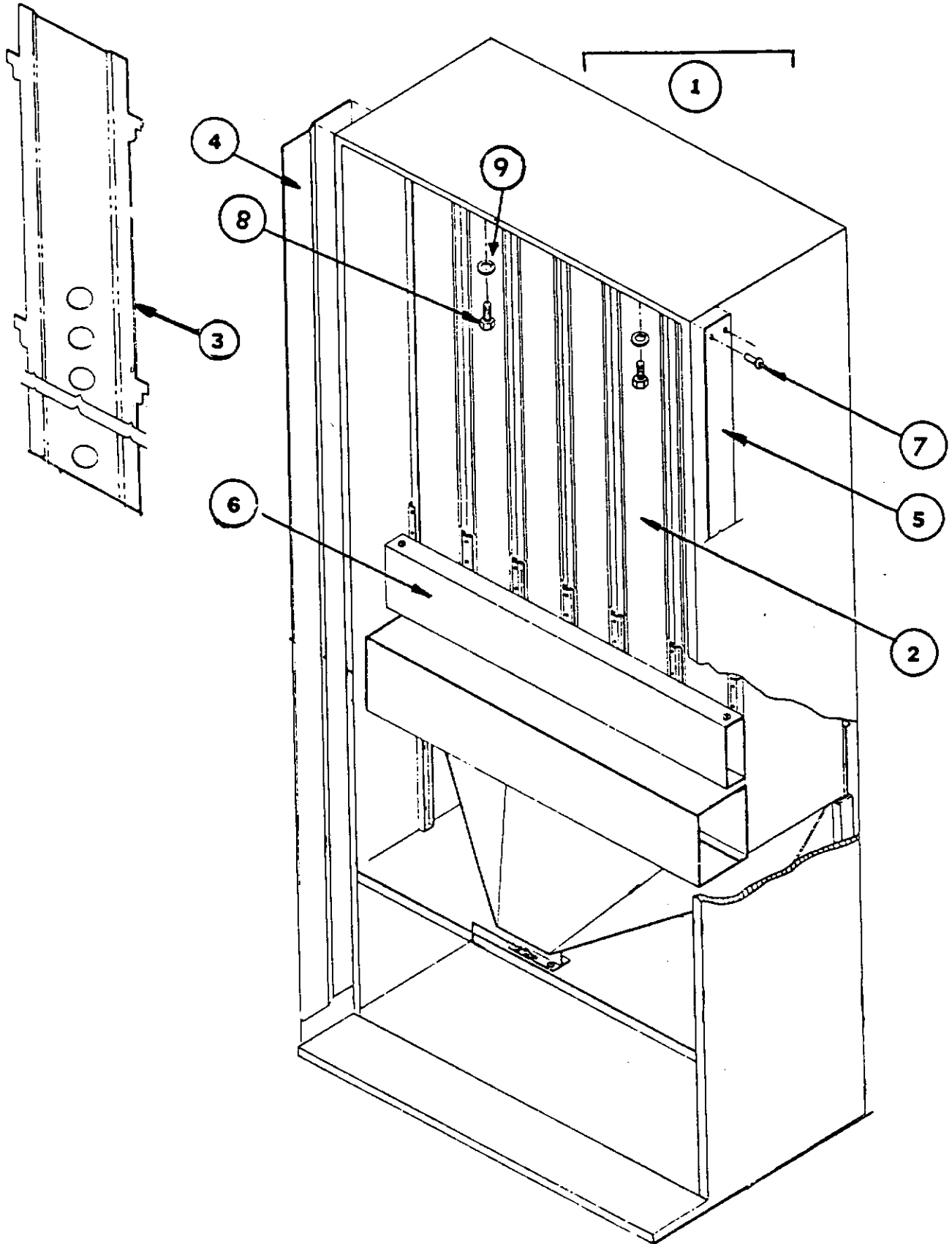
Item No.	PART NUMBER	PART NAME AND DESCRIPTION
DNCB 414/239-9 & 10		
1	D164,060,001.63	Cabinet Ass'y. less Stack
2	F356,070,000.03	Vend Mechanism Complete 9
3	F350,070,000.03	Vend Mechanism Complete 10
3	C267,070,200.03	Bottle Guide Standard Column
4	C164,000,031.13	Protective Plate L.S. Cabinet
5	B164,000,041.13	Protective Plate R.S. Cabinet
6	F350,071,000.03	Stack Ass'y. w/Gates Installed
7	C267,070,300.03	Bottle Guide Narrow Column
10	901,100,440.01	Drive Rivet 1/4"
11	900,301,730.01	Screw 1/4-20 Self Tapping
12	900,700,080.01	Washer
13	C350,070,300.03	W/A Gate - Narrow
13	C350,070,400.03	W/A Gate - Wide
14	A231,070,300.03	W/A Gate Hinge
	A350,070,100.03	W/A Hinge Bottom
14A	A350,070,200.03	W/A Hinge Top
15	901,100,390.01	Pop Rivet
16	A350,070,130.03	Gate Latch
17	901,700,690.51	Spring Rear Guide
DNCB 348/206-9 & 10		
1	D165,060,001.63	Cabinet Ass'y. less Stack
2	F358,070,000.03	Vend Mechanism Complete 9
3	F351,070,000.03	Vend Mechanism Complete 10
3	C270,070,200.03	Bottle Guide Standard Column
4	C165,000,030.93	Protective Plate L.S. Cabinet
5	B165,000,040.93	Protective Plate R.S. Cabinet
6	F351,071,000.03	Stack Ass'y. w/Gates Installed
7	C270,070,300.03	Bottle Guide Narrow Column
10	901,100,440.01	Drive Rivet 1/4"
11	900,301,730.01	Screw 1/4-20 Self Tapping
12	900,700,080.01	Washer
13	C351,070,100.03	W/A Gate - Narrow
13	C351,070,200.03	W/A Gate - Wide
14	A231,070,300.03	W/A Gate Hinge
	A350,070,100.03	W/A Hinge Bottom
14A	A350,070,200.03	W/A Hinge Top
15	901,100,390.01	Pop Rivet
16	A350,070,130.03	Gate Latch
	901,700,690.51	Spring Rear Guide

WHEN ORDERING PARTS, INDICATE MODEL # AND SERIAL # OF VENDER.
ALL PRICES ARE SUBJECT TO CHANGE WITHOUT NOTICE.

CABINET AND VEND MECHANISM



CABINET AND VEND MECHANISM



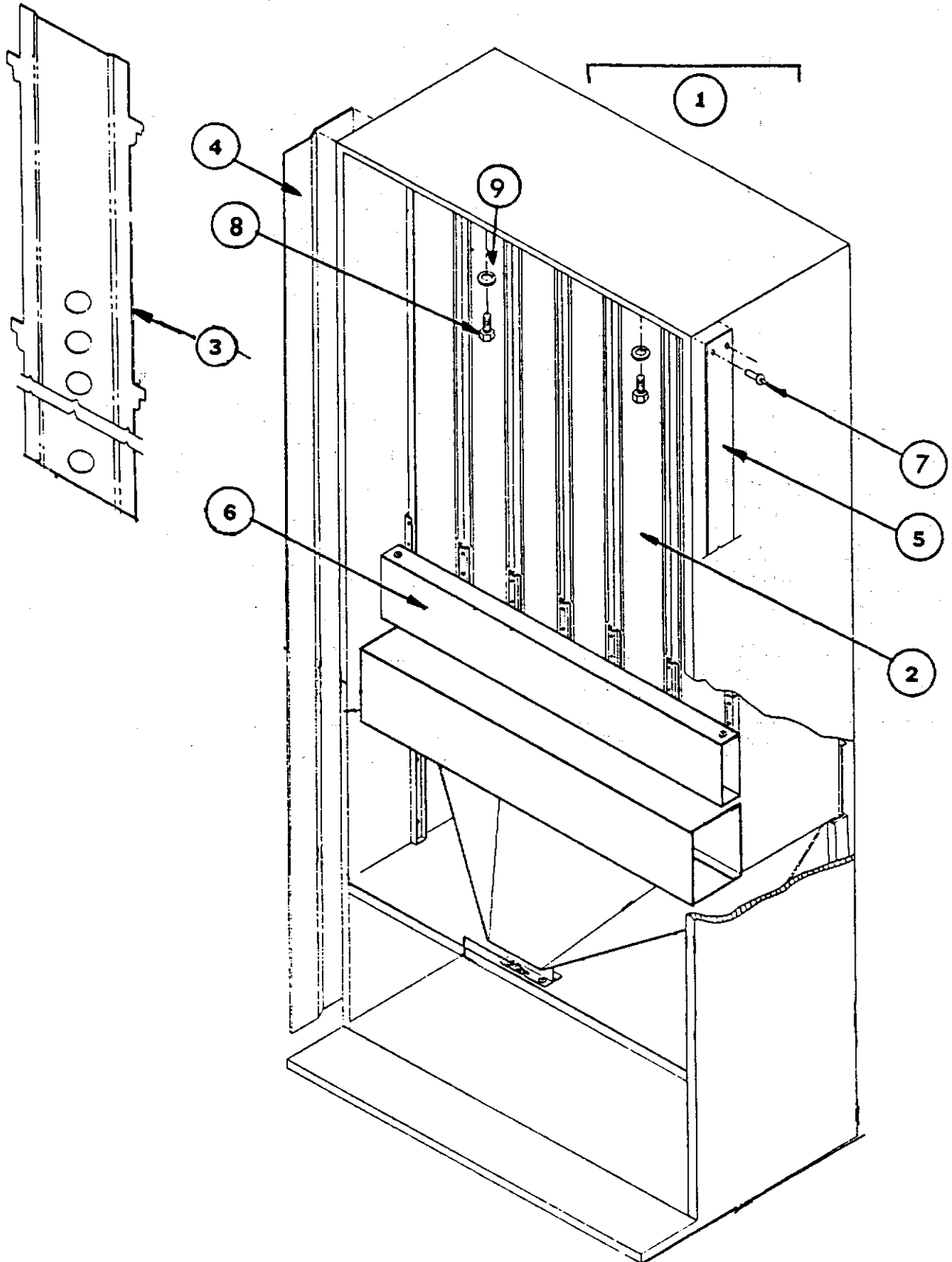
Parts List

CABINET AND VEND MECHANISM

Item No.	PART NUMBER	PART NAME AND DESCRIPTION
DNCB 552 T/300 5 & 6		
1	D328,060,000.03	Cabinet Ass'y. Less Stack
2	F328,070,000.03	Vend Mechanism Complete
3	C328,070,200.03	Rear Guides Ass'y.
4	C165,000,030.73	Protective Plate L. S. Cabinet
5	B165,000,040.73	Protective Plate R. S. Cabinet
6	F328,070,100.03	Stack - W/Ass'y. Only
7	901,100,440.01	Drive Rivets - 1/4"
8	900,301,730.01	Cap Screw 1/4 -20
9	900,700,080.01	Washer
DNCB 432 T/252 5 & 6		
1	D329,060,000.03	Cabinet Ass'y. Less Stack
2	F329,070,000.03	Vend Mechanism - Complete
3	C329,070,200.03	Rear Guide Ass'y.
4	C166,000,030.93	Protective Plate L. S. Cabinet
5	B166,000,040.83	Protective Plate R. S. Cabinet
6	F329,070,100.03	Stack - W/Ass'y. Only
7	901,100,440.01	Drive Rivet - 1/4"
8	900,301,730.01	Cap Screw 1/4-20
9	900,700,080.01	Washer

WHEN ORDERING PARTS, INDICATE MODEL # AND SERIAL # OF VENDER.
ALL PRICES ARE SUBJECT TO CHANGE WITHOUT NOTICE.

CABINET AND VEND MECHANISM



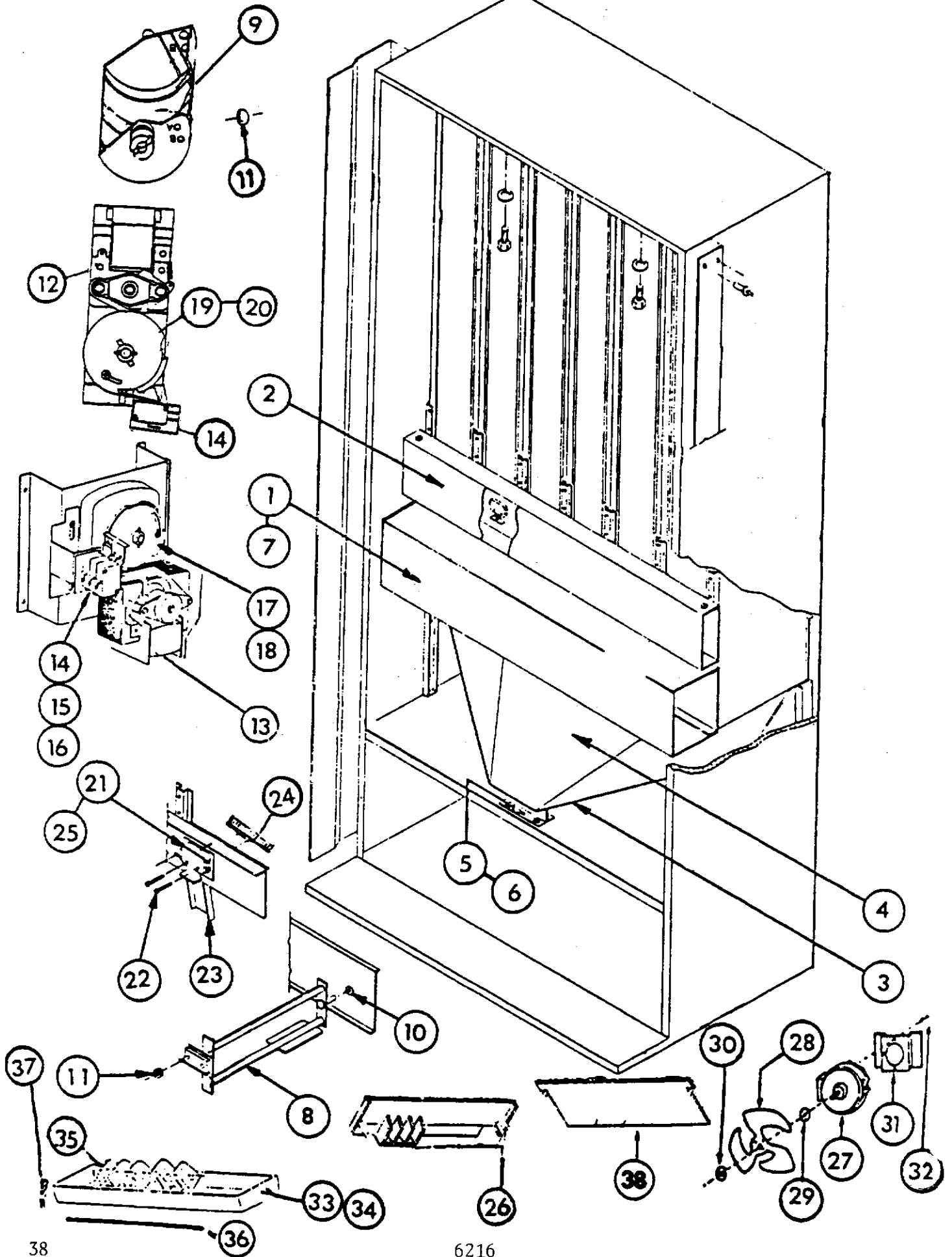
Parts List

CABINET AND VEND MECHANISM

Item No.	PART NUMBER	PART NAME AND DESCRIPTION
DNCB 630/360 -(3D) 5 & 6		
1	D236,060,000.03	Cabinet Ass'y. Less Stack
2	F236,070,000.03	Vend Mechanism Complete
3	C236,070,500.03	Rear Guides Ass'y.
4	C164,000,030.93	Protective Plate L. S. Cabinet
5	B164,000,040.93	Protective Plate R. S. Cabinet
6	F236,070,300.03	Stack W/Ass'y. Only
7	901,100,440.01	Drive Rivets - 1/4"
8	900,301,730.01	Cap Screw - 1/4-20
9	900,700,080.01	Washer
DNCB 630 T/360 5 & 6		
1	D324,060,000.03	Cabinet Ass'y. Less Stack
2	F324,070,000.03	Vend Mechanism - Complete
3	C324,070,200.03	Rear Guide Ass'y.
4	C164,000,030.93	Protective Plate L. S. Cabinet
5	B164,000,040.93	Protective Plate R. S. Cabinet
6	F324,070,100.03	Stack - W/Ass'y. Only
7	901,100,440.01	Drive Rivet - 1/4"
8	900,301,730.01	Cap Screw - 1/4-20
9	900,700,080.01	Washer

WHEN ORDERING PARTS, INDICATE MODEL # AND SERIAL # OF VENDER.
ALL PRICES ARE SUBJECT TO CHANGE WITHOUT NOTICE.

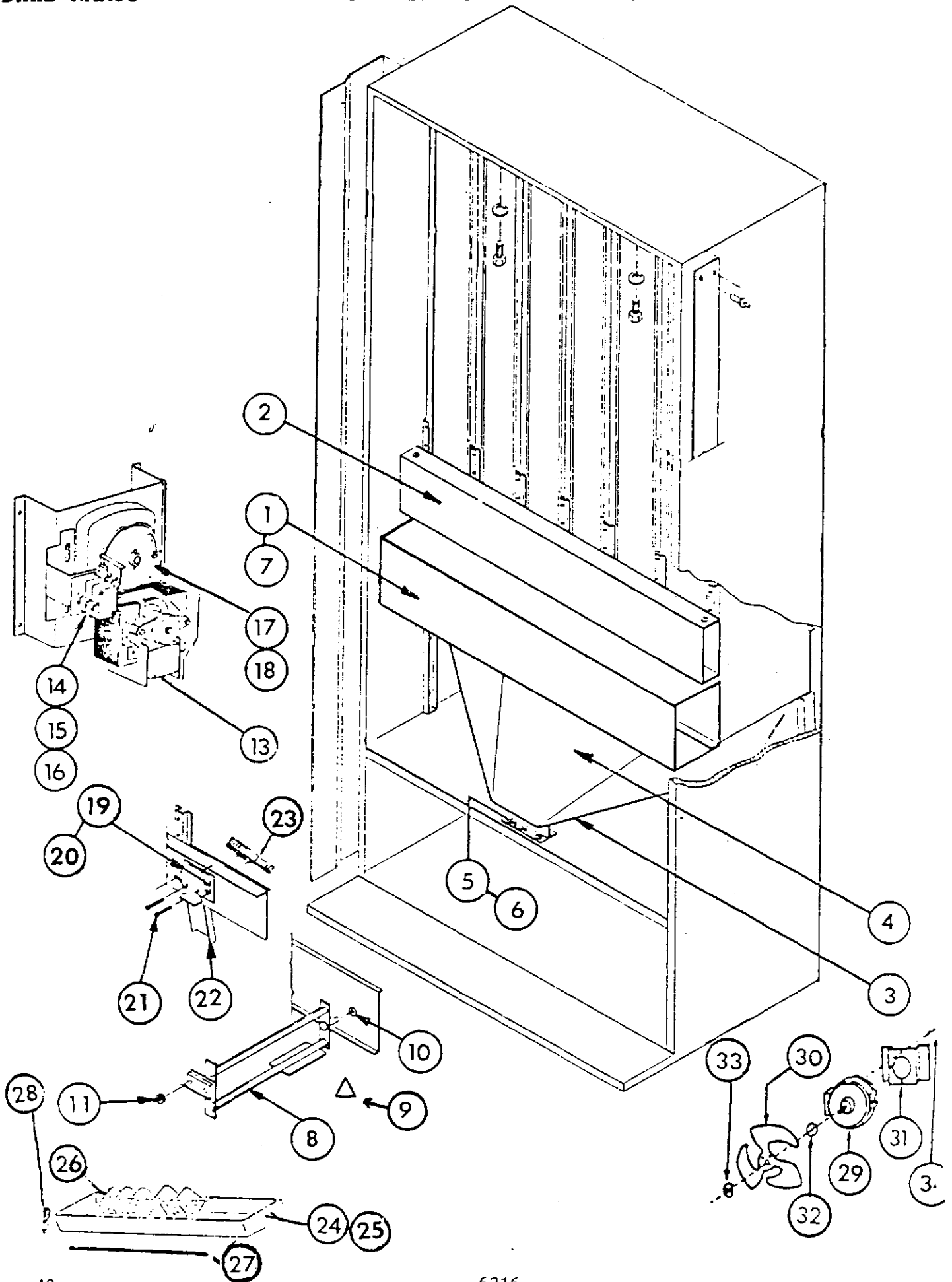
CABINET AND VEND MECHANISM



CABINET AND VEND MECHANISM

Item No.	PART NUMBER	PART NAME AND DESCRIPTION
	DNCB 168/99-5 & -6, DNCB 240/138-5 & -6, DNCB 276/162-5 & -6, DNCB 330/189-5 & -6	
1	B237,070,250.03	Cover Vend Motor
2	B237,070,080.03	Cover Sold Out Switch S/A
3	D208,070,010.33	Can & Bottle Chute Ass'y. Complete
4	D208,070,020.53	Liner Only - Chute
	DNCB 440/252-7 & 8 DNCB 368/216-7 & 8 DNCB 320/184-7 & 8 DNCB 304/174-9 & 10 DNCB 348/206-9 & 10 DNCB 414/239-9 & 10	
1	C176,070,250.03	Cover Vend Motor
2	B231,070,220.03	Cover Sold Out Switch S/A
3	D211,070,010.43	Can & Bottle Chute Ass'y. Complete
4	D211,070,020.43	Liner Only - Chute
	DNCB 168/99-5 & 6 DNCB 240/138-5 & 6 DNCB 276/162-5 & 6 DNCB 330/189-5 & 6 DNCB 320/184-7 & 8 DNCB 360/210-5 & 6 DNCB 368/216-7 & 8 DNCB 432/246-5 & 6 DNCB 440/252-7 & 8 DNCB 304/174-9 & 10 DNCB 348/206-9 & 10 DNCB 414/239-9 & 10	
5	B147,074,400.73	Bracket Chute
6	900,900,960.02	Hex Nut - 10-32 (Chute)
7	900,301,560.01	Screw Sems - (Cover, Vend Motor)
8	D801,201,010.01	Oscillator Long 1 1/4"
9	D801,201,000.01	Vend Rotor Long 1 1/4"
10	801,803,170.01	Nyliner (Rear Stack)
11	801,804,230.01	Nyliner (Oscillator Front & Rotor)
12	C231,070,400.03	Vend Motor (Narrow Column)
13	179,070,600.33	Vend Motor (Red Cam Standard Col.)
14	804,100,500.01	Cluster Switch, Vend Motor
15	900,301,610.01	Screw, Vend Motor Switch
16	905,800,330.01	Insulator, Vend Motor Switch
17	C801,804,090.21	Vend Motor Cam, (RED) Standard
18	C801,804,000.41	Adjustable Cam (WHITE)
19	B801,805,360.01	Adjustable Cam
20	C801,805,350.01	Cam, Vend Motor
21	804,100,560.01	Switch, Sold Out
22	900,301,670.01	Screw, Sold Out Switch #4x1 1/4"
23	C231,070,170.43	Paddle, Sold Out
24	901,700,630.01	Spring, Sold Out Paddle
25	801,804,350.01	Insulator, Switch
26	C801,804,950.01	Shims, 12 oz. Can (Plastic) 1 1/4"
27	E143,000,301.03	Fan Motor S/A - Evap.
28	901,303,270.01	Fan Blade - Evap.
29	900,100,970.02-2	Silencer
30	900,100,970.02-1	Speed Nut
31	B164,040,080.63	Bracket, Fan Motor
32	900,901,510.02	Screw, 10-32
33	B169,000,200.63	Ass'y. Pan & Soaker
34	C801,804,240.11	Condensate Pan (Only Black)
35	901,900,020.01	Soaker
36	901,400,060.01	Rod, for Soaker 14"
37	900,301,650.01	Screw, Self Drilling
38	801,804,960.01	Flat Shim - Wide Column

WHEN ORDERING PARTS, INDICATE MODEL # AND SERIAL # OF VENDER.
ALL PRICES ARE SUBJECT TO CHANGE WITHOUT NOTICE.



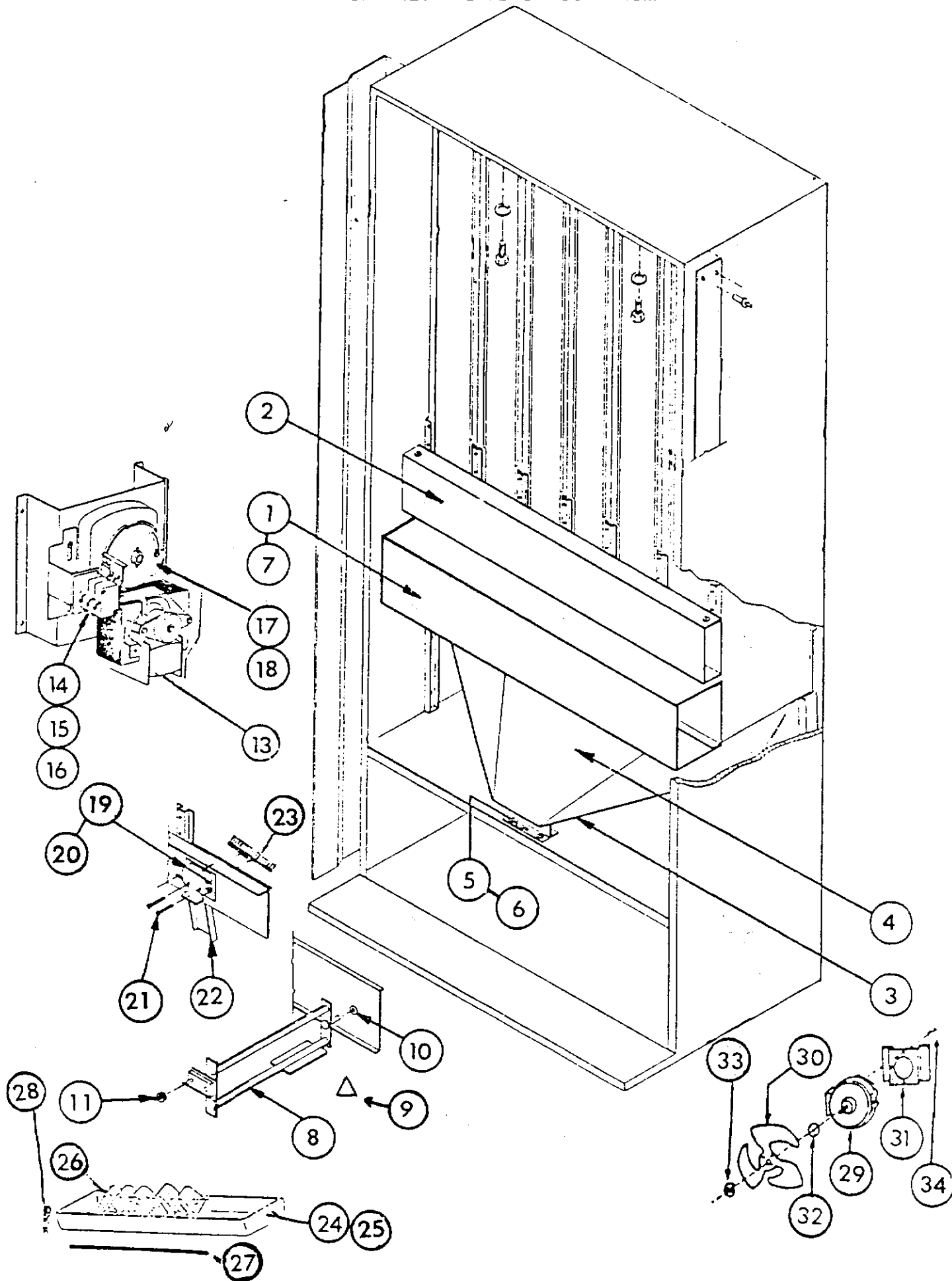
Parts List

CABINET AND VEND MECHANISM

Item No.	PART NUMBER	PART NAME AND DESCRIPTION
	DN CB 630/360 5 & 6	
1	C176,070,250.03	Cover Vend Motor
2	B231,070,220.03	Cover Sold Out Switch S/A
3	C236,000,200.03	Can & Bottle Chute Ass'y. Complete
4	D236,000,070.13	Liner Only - Chute
5	B147,074,400.73	Bracket - Chute
6	900,800,650.01	Keys Nut
7	900,301,560.01	Screw Sems - Cover Vend Motor
8	801,200,990.41	Oscillator 3-D
9	901,700,650.01	Can Retainer
10	801,803,170.01	Nyliner - Rear Stack
11	801,804,230.01	Nyliner - Front Stack
13	C236,070,200.13	Vend Motor Ass'y. - Black Cams
14	804,100,500.01	Cluster Switch V. M.
15	900,301,610.01	Screw - Vend Motor Switch
16	905,800,330.01	Insulator - Vend Motor Switch
17	C801,804,380.21	Vend Motor Cam - Black
18	C801,804,470.01	Adjustable Cam - Black
19	804,100,560.01	Switch - Sold Out
20	801,804,350.01	Insulator, Switch
21	900,301,670.01	Screw, Sold Out Switch #4 x 1 1/4"
22	C231,070,170.43	Paddle, Sold Out Switch
23	901,700,630.01	Spring, Sold Out Paddle
24	B169,000,200.63	Ass'y. Pan & Soakers
25	C801,804,240.11	Condensate Pan Only Black
26	901,900,020.01	Soakers
27	901,400,060.01	Rod - for Soaker - 14"
28	900,301,650.01	Screw - Self Drilling
29	B143,000,301.03	Fan Motor S/A - Evap.
30	901,303,270.01	Fan Blade - Evap.
31	B164,040,080.63	Bracket, Fan Motor
32	900,100,970.02-2	Silencer
33	900,100,970.02-1	Speed Nut
34	900,901,510.02	Screw, Self Tapping

WHEN ORDERING PARTS, INDICATE MODEL # AND SERIAL # OF VENDER.
ALL PRICES ARE SUBJECT TO CHANGE WITHOUT NOTICE.

CABINET AND VEND MECHANISM



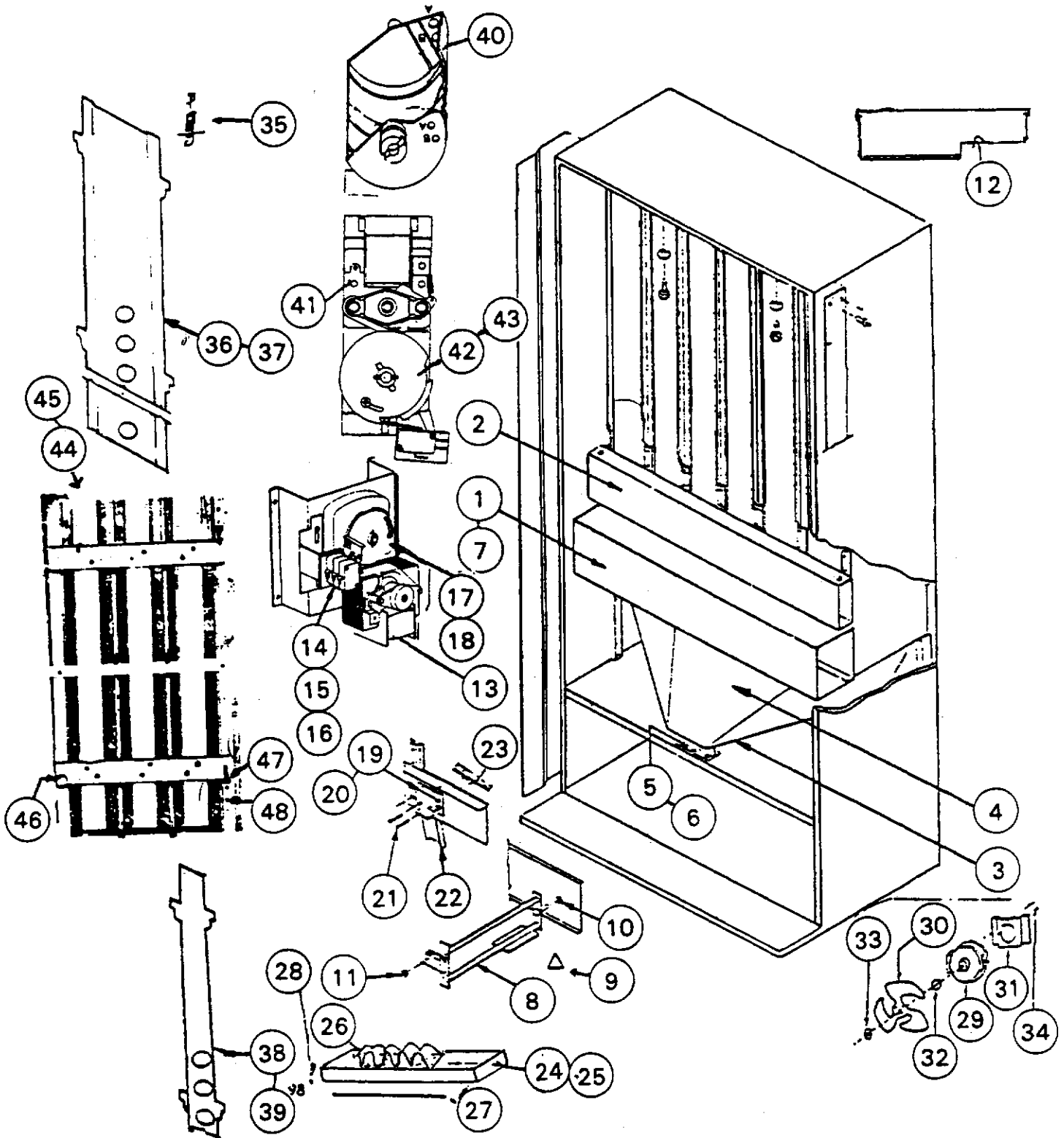
Parts List

CABINET AND VEND MECHANISM

Item No.	PART NUMBER	PART NAME AND DESCRIPTION
	DNCB 630 T/360 5 & 6, DNCB 552 T/300 5 & 6, DNCB 432 T/252 5 & 6	
1	C176,070,250.03	Cover Vend Motor
2	B231,070,220.03	Cover Sold Out Switch S/A
3	C234,000,100.03	Can & Bottle Chute Ass'y. Complete
4	D234,000,020.03	Liner Only - Chute
5	B147,074,400.73	Bracket - Chute
6	900,900,960.02	Hex Nut 10-32 - Chute
7	900,301,560.01	Screw Sems - Cover Vend Motor
8	801,201,020.01	Oscillator - T - Models
9	901,700,650.01	Can Retainer
10	801,803,170.01	Nyliner - Rear Stack
11	801,804,230.01	Nyliner - Front Stack
13	C236,070,200.13	Vend Motor Ass'y. - Black Cams
14	804,100,500.01	Cluster Switch V. M.
15	900,301,610.01	Screw - Vend Motor Switch
16	905,800,330.01	Insulator - Vend Motor Switch
17	C801,804,380.21	Vend Motor Cam - Black
18	C801,804,470.01	Adjustable Cam - Black
19	804,100,560.01	Switch - Sold Out
20	801,804,350.01	Insulator, Switch
21	900,301,670.01	Screw, Sold Out Switch #4 x 1 1/4"
22	C231,070,170.43	Paddle, Sold Out Switch
23	901,700,630.01	Spring, Sold Out Paddle
24	B169,000,200.63	Ass'y. Pan & Soakers
25	C801,804,240.11	Condensate Pan - Only Black
26	901,900,020.01	Soakers
27	901,400,060.01	Rod for Soaker - 14"
28	900,301,650.01	Screw, Self Drilling
29	B143,000,301.03	Fan Motor S/A - Evap.
30	901,303,270.01	Fan Blade - Evap.
31	B164,040,080.63	Bracket, Fan Motor
32	900,100,970.02 - 2	Silencer
33	900,100,970.02 - 1	Speed Nut
34	900,901,510.02	Screw, Self Tapping

WHEN ORDERING PARTS, INDICATE MODEL # AND SERIAL # OF VENDER.
ALL PRICES ARE SUBJECT TO CHANGE WITHOUT NOTICE.

CABINET AND VEND MECHANISM



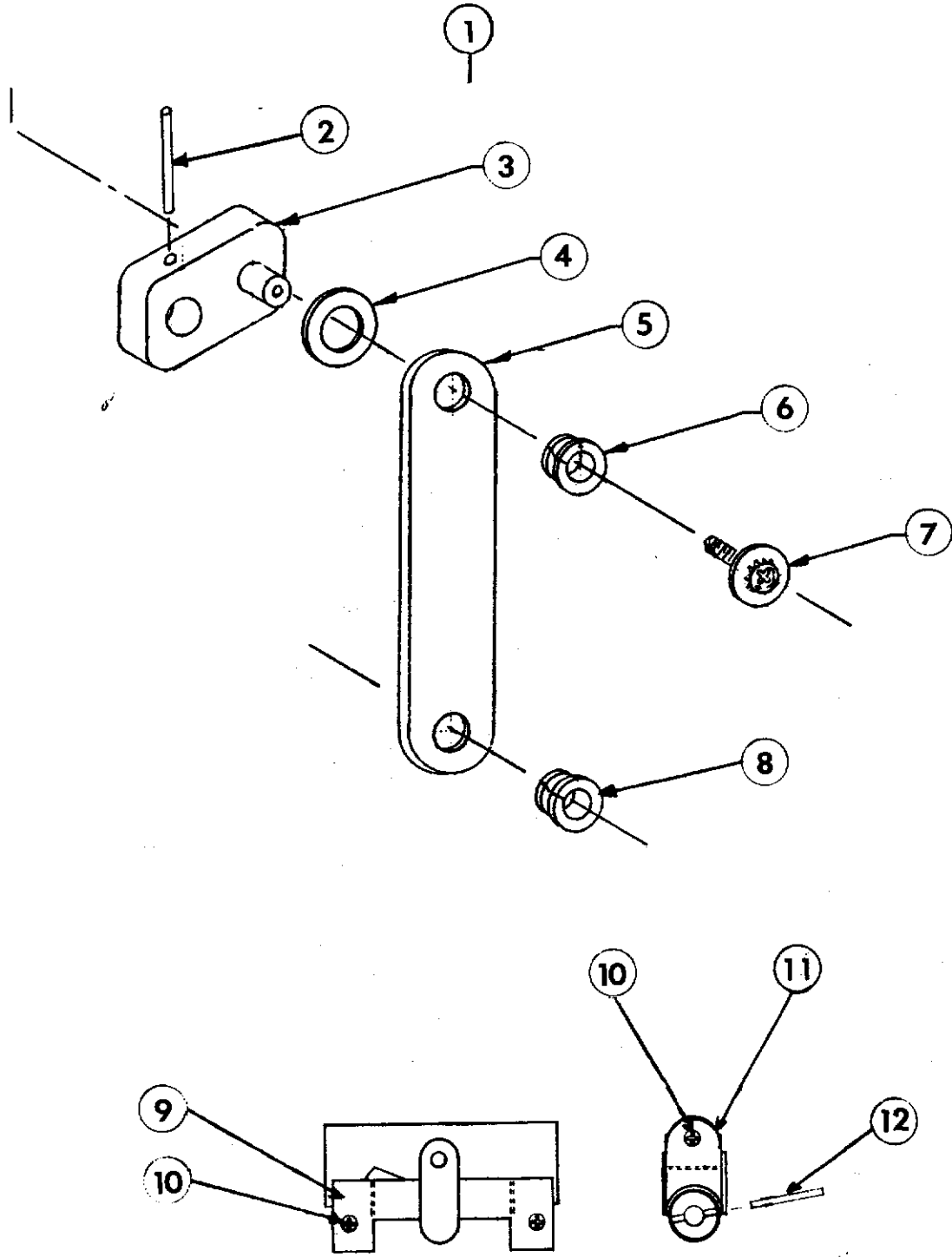
Parts List

CABINET AND VEND MECHANISM

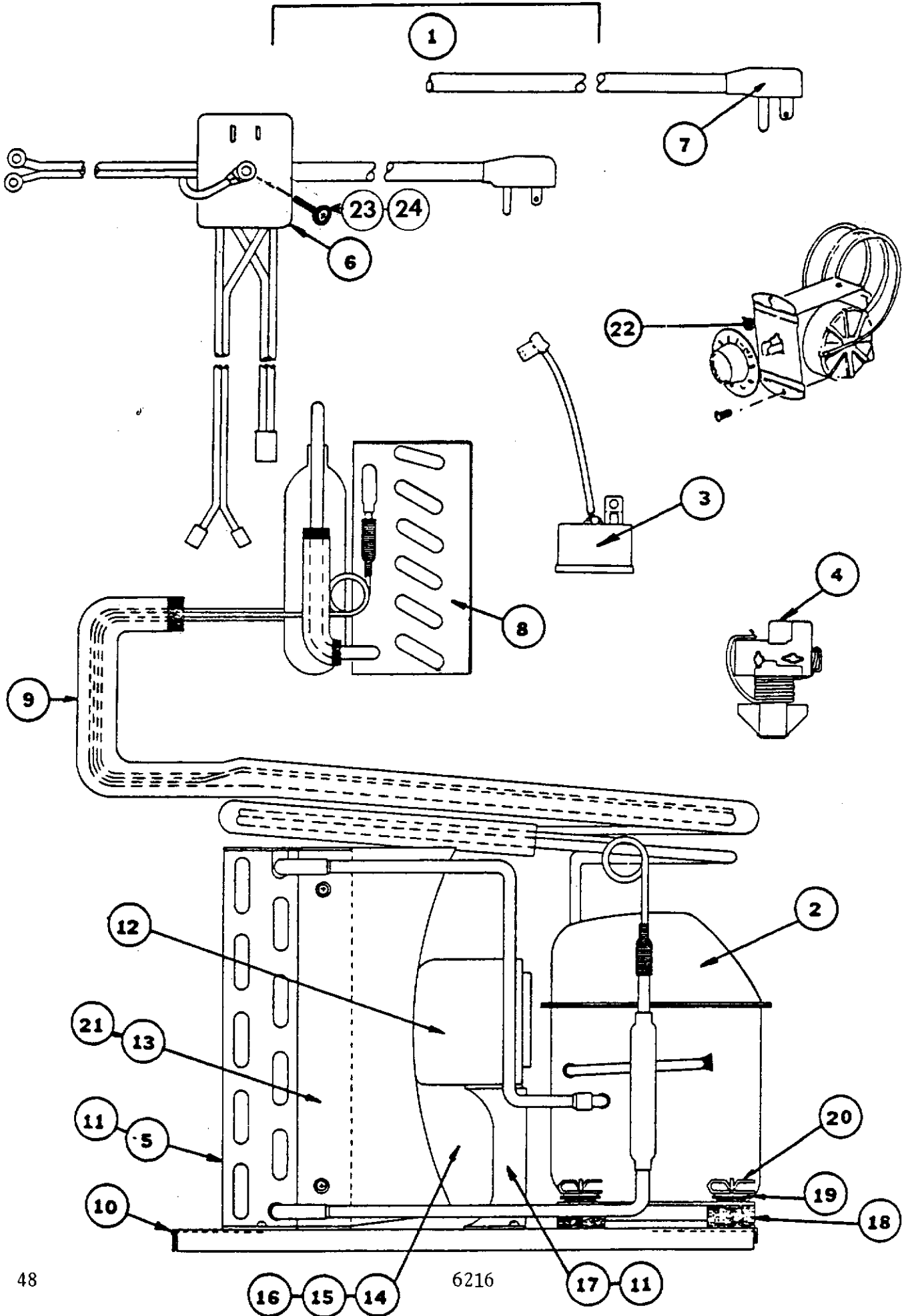
Item No.	PART NUMBER	PART NAME AND DESCRIPTION
	DNCB 501T/280-8, DNCB 600T/340-8	
1	C176,070,250.03	Cover Vend Motor
2	B231,070,220.03	Cover Sold Out Switch S/A
3	C234,000,100.03	Can & Bottle Chute Ass'y. Complete
4	D234,000,020.03	Liner Only - Chute
5	B147,074,400.73	Bracket - Chute
6	900,900,960.02	Hex Nut 10-32 - Chute
7	900,301,560.01	Screw Sems - Cover Vend Motor
8	801,201,020.01	Oscillator - T - Models
9	901,700,650.01	Can Retainer
10	801,803,170.01	Nyliner - Rear Stack & Rotor
11	801,804,230.01	Nyliner - Front Stack & Rotor
12	361,010,080.01	Right Formed Shim - Narrow Column
13	C236,070,200.13	Vend Motor Ass'y. - Black Cams
14	804,100,500.01	Cluster Switch V. M.
15	900,301,610.01	Screw - Vend Motor Switch
16	905,800,330.01	Insulator - Vend Motor Switch
17	C801,804,380.21	Vend Motor Cam - Black
18	C801,804,470.01	Adjustable Cam - Black
19	804,100,560.01	Switch - Sold Out
20	801,804,350.01	Insulator, Switch
21	900,301,670.01	Screw, Sold Out Switch #4 x 1 1/4"
22	C231,070,170.43	Paddle, Sold Out Switch
23	901,700,630.01	Spring, Sold Out Paddle
24	B169,000,200.63	Ass'y. Pan & Soakers
25	C801,804,240.11	Condensate Pan - Only Black
26	901,900,020.01	Soakers
27	901,400,060.01	Rod for Soaker - 14"
28	900,301,650.01	Screw, Self Drilling
29	B143,000,301.03	Fan Motor S/A - Evap.
30	901,303,270.01	Fan Blade - Evap.
31	B164,040,080.63	Bracket, Fan Motor
32	900,100,970.02 - 2	Silencer
33	900,100,970.02 - 1	Speed Nut
34	900,901,510.01	Screw, 10-32
35	901,700,690.51	Spring Rear Guide
36	C328,070,200.03	Rear Spacer Wide Column 501T
37	C324,070,200.03	Rear Spacer Wide Column 600T
38	C386,070,200.03	Rear Spacer Narrow Column 501T
39	C361,070,200.03	Rear Spacer Narrow Column 600T
40	B801,201,100.01	Vend Rotor Narrow Column
41	361,070,400.03	Vend Motor Narrow Column
42	B801,805,360.01	Adjustable Cam Gray
43	C801,805,350.01	Cam Gray
44	C386,070,100.03	Gate Narrow Column 501T
45	C361,070,100.03	Gate Narrow Column 600T
46	A231,070,260.03	Gate Latch
47	A231,070,300.03	W/A Gate Hinge
48	901,100,390.01	Pop Rivet

WHEN ORDERING PARTS, INDICATE MODEL # AND SERIAL # OF VENDER.
ALL PRICES ARE SUBJECT TO CHANGE WITHOUT NOTICE.

TWO-BAR LINKAGE ASSEMBLY AND JOURNALS



REFRIGERATION SYSTEM

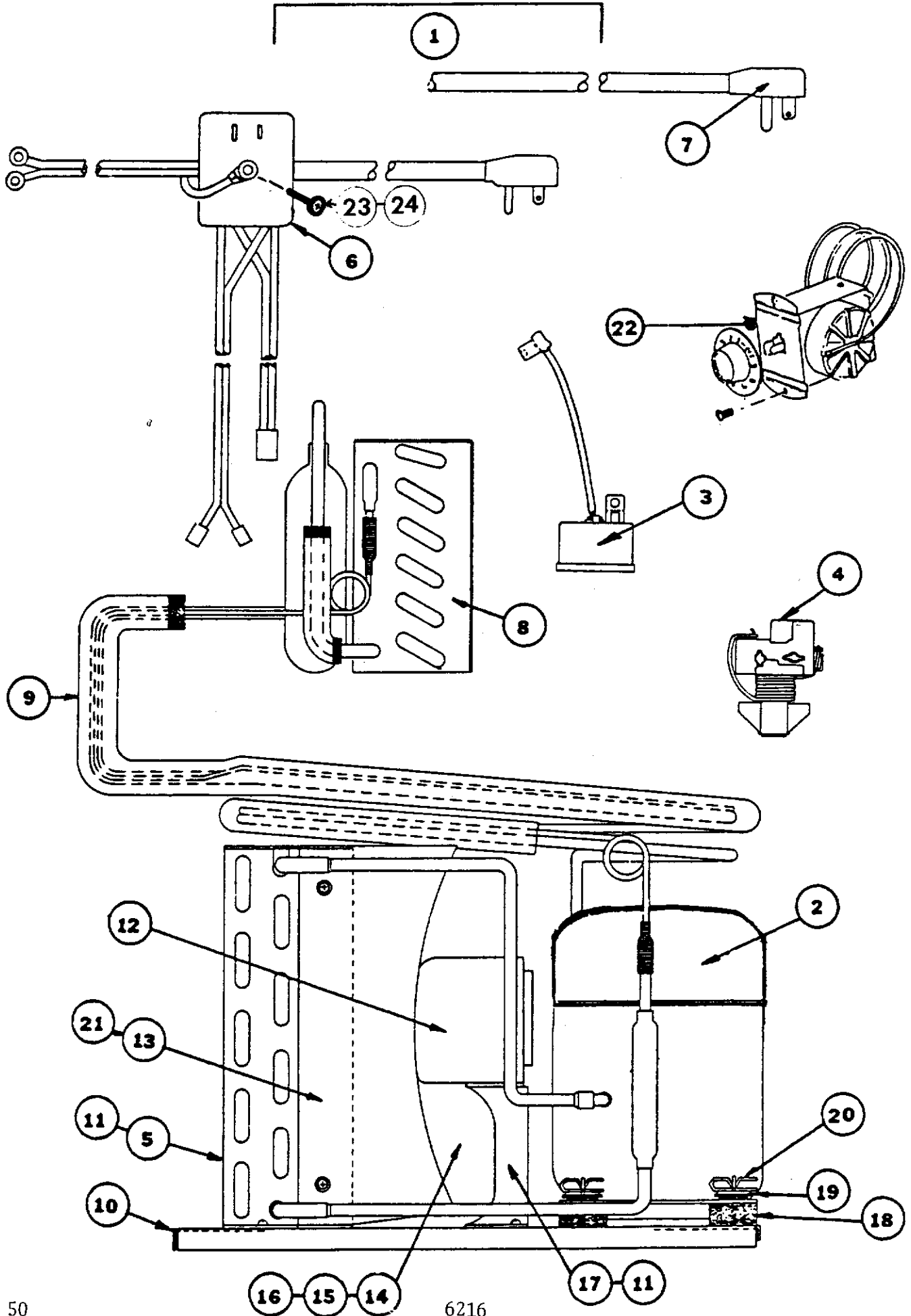


REFRIGERATION SYSTEM

Item No.	PART NUMBER	PART NAME AND DESCRIPTION
DNCB 168/99-5 & -6, DNCB 240/138-5 & -6		
1	D142,040,002.43	Refrigeration System Complete, Model 400
2	802,500,110.01	Compressor, Model AE3430A Tecumseh
2	802,500,110.01	Compressor, ¼ H.P. Americold
3	83458	Overload for AE3430A Compressor Tecumseh
*	(SPMRP-26 ALL-34)	Overload for AE3430A Compressor Tecumseh
3	1456-3163	Overload for ¼ H.P. Americold
*	MST22ALK-319	Overload for ¼ H.P. Americold
4a	82684	Relay for AE3430A Compressor Tecumseh
*	(SP9660-040-176)	Relay for AE3430A Compressor Tecumseh
4b	82483	Relay for AE3430A Compressor Tecumseh
*	(GE3ARR12-PB162)	Relay for AE3430A Compressor Tecumseh
4	1456-3164	Relay for ¼ H.P. Americold
*	3CR-203-180	Relay for ¼ H.P. Americold
5	C808,600,540.02	Condenser
DNCB 276/162-5 & 6 DNCB 330/189-5 & 6 DNCB 320/184-7 & 8 DNCB 368/216-7 & 8 DNCB 440/252-7 & 8 DNCB 304/174-9 & 10 DNCB 348/206-9 & 10 DNCB 414/239-9 & 10		
1	D143,040,402.13	Refrigeration System Complete, Model 300
2	802,500,170.01	Compressor, Model AE3440A Tecumseh
3	TEC8300MRTA78	Overload for AE3440A Compressor Tecumseh
*	(SPMRT-22AIN-34)	Overload for AE3440A Compressor Tecumseh
4a	TEC8209660A09	Relay for AE3440A Compressor Tecumseh
*	(SP9660-040-182)	Relay for AE3440A Compressor Tecumseh
4b	820RR12A10	Relay for AE3440A Compressor Tecumseh
*	(GE3ARR12-PB220)	Relay for AE3440A Compressor Tecumseh
5	D808,700,090.02	Condenser
DNCB 168/99-5 & 6 DNCB 240/138-5 & 6 DNCB 276/162-5 & 6 DNCB 330/189-5 & 6 DNCB 320/184-7 & 8 DNCB 360/210-5 & 6 DNCB 368/216-7 & 8 DNCB 432/246-5 & 6 DNCB 440/252-7 & 8 DNCB 304/174-9 & 10 DNCB 348/206-9 & 10 DNCB 414/239-9 & 10		
6	804,900,602.31	Main Wiring Harness
7	A904,900,610.81	Compressor Lead w/plug
8	B802,600,370.51	Evaporator
9	903,300,530.01	Insulator Tube
10	C164,040,120.43	Base Plate - condensing unit
11	900,301,560.01	Screw Sems
12	802,302,120.02	Fan Motor - Cond.
13	D905,800,450.01	Shroud
14	900,103,370.02	Fan Blade
15	900,100,970.02-2	Silencer
16	900,100,970.02-1	Speed Nut
17	900,102,970.02	Fan Bracket
18	902,000,570.01	Grommet, compressor mounting
19	A901,803,910.11	Plug, compressor grommet
20	A900,901,880.01	Retainer Clip, compressor mounting
21	900,300,160.01	Screw, S/M #6 x 3/8
22	802,800,090.31	Temperature Control
23	900,902,090.02	Screw-10-32 x 1 1/2"
24	903,000,170.02	Lockwasher

*Relative to Relays & Overloads, the numbers that appear in parenthesis () are always stamped on the Relay & Overload. Either # can be used for ordering purposes.
 WHEN ORDERING PARTS, INDICATE MODEL # AND SERIAL # OF VENDER.
 ALL PRICES ARE SUBJECT TO CHANGE WITHOUT NOTICE.

REFRIGERATION SYSTEM



Parts List

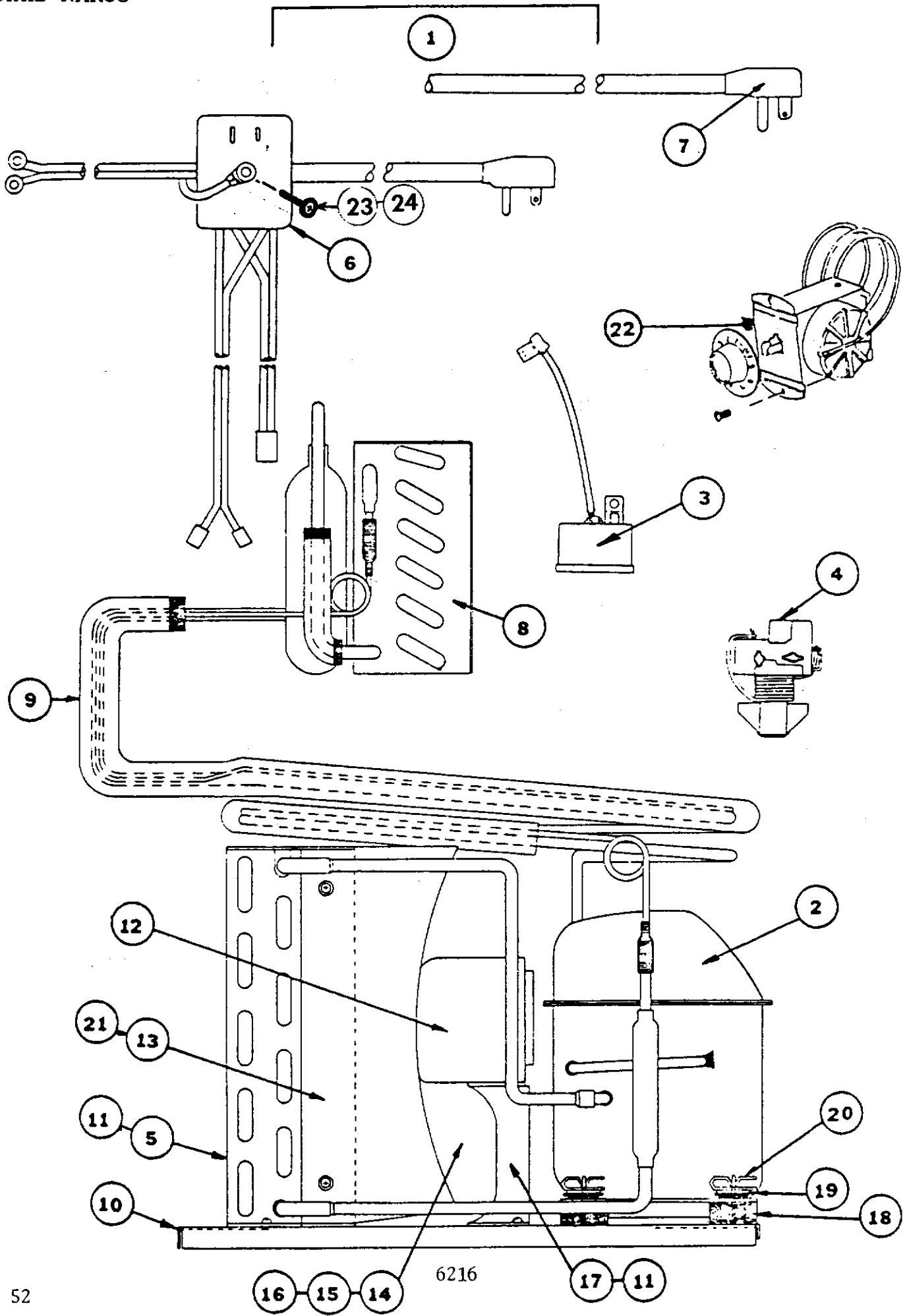
REFRIGERATION SYSTEM

Item No.	PART NUMBER	PART NAME AND DESCRIPTION
		DNCB 432 T/252 5 & 6
1	D329,040,100.03	Refrigeration System Complete Model 300-T
2	802,500,170.01	Compressor, Model AE3440A Tecumseh
3	TEC8300MRTA78	Overload for AE3440A compressor Tecumseh
*	(SPMRT-22AIN-34)	Overload for AE3440A compressor Tecumseh
4a	TEC8209660A09	Relay for AE3440A compressor Tecumseh
*	(SP9660-040-182)	Relay for AE3440A compressor Tecumseh
4b	820RR12A10	Relay for AE3440A compressor Tecumseh
*	(GE3ARR12-PB220)	Relay for AE3440A compressor Tecumseh
5	D808,700,090.02	Condenser
6	804,900,602.31	Main Wiring Harness
7	A904,900,610.81	Compressor Lead w/plug
8	B802,600,370.51	Evaporator
9	903,300,530.01	Insulator Tube
10	C164,040,120.43	Base Plate - condensing unit
11	900,301,560.01	Screw Sems
12	802,302,120.02	Fan Motor
13	905,800,450.01	Shroud
14	900,103,370.02	Fan Blade
15	900,100,970.02-2	Silencer
16	900,100,970.02-1	Speed Nut
17	900,102,970.02	Fan Bracket
18	902,000,570.01	Grommet, compressor mounting
19	A901,803,910.11	Plug, compressor grommet
20	A900,901,880.01	Retainer Clip, compressor mounting
21	900,300,160.01	Screw, S/M #6 x 3/8
22	802,800,090.31	Temperature Control
23	900,902,090.02	Screw, 10-32 x 1 1/2"
24	903,000,170.02	Lockwasher

* Relative to Relays & Overloads, the numbers that appear in parenthesis () are always stamped on the Relay & Overload. Either # can be used for ordering purposes.

WHEN ORDERING PARTS, INDICATE MODEL # AND SERIAL # OF VENDER.
ALL PRICES ARE SUBJECT TO CHANGE WITHOUT NOTICE.

REFRIGERATION SYSTEM



Parts List

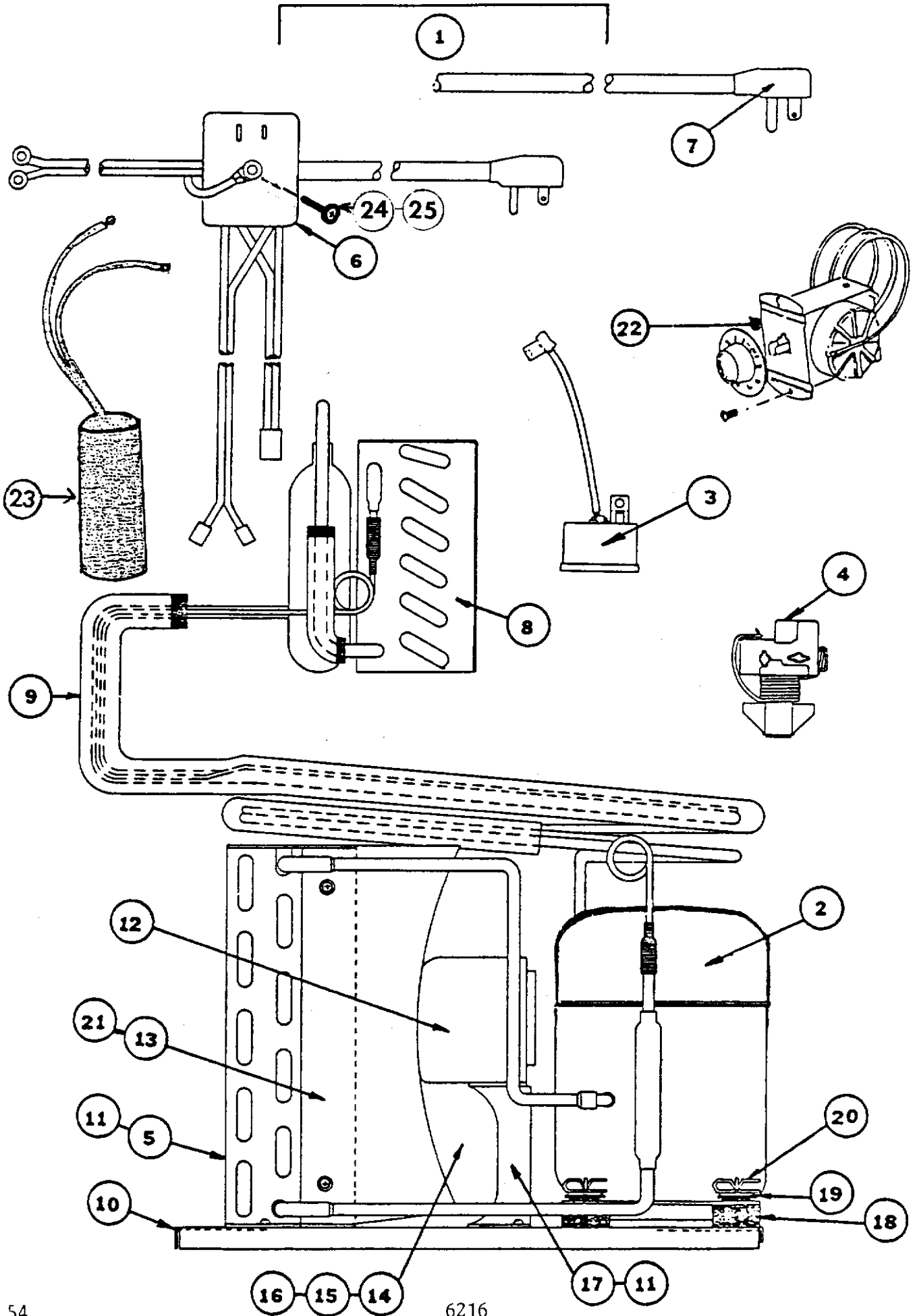
REFRIGERATION SYSTEM

Item No.	PART NUMBER	PART NAME AND DESCRIPTION
		DNCB 522T/300 5 & 6 & 501T/280-8
1	D328,040,200.03	Refrigeration System complete, Model-800
2	802,500,270.01	Compressor, Model AE3448A Tecumseh
3	TEC8300MRTE66	Overload for AE3448A compressor Tecumseh
*	(MRT-16AIN-34)	Overload for AE3448A compressor Tecumseh
4a	TEC8209660C05	Relay for AE3448A compressor Tecumseh
*	(SP9660-040-189)	Relay for AE3448A compressor Tecumseh
4b	820RR12C06	Relay for AE3448A compressor Tecumseh
*	(GE3ARR12-PB516)	Relay for AE3448A compressor Tecumseh
5	D808,700,090.02	Condenser
6	804,900,602.31	Main Wiring Harness
7	A904,900,610.81	Compressor Lead w/plug
8	B802,600,370.51	Evaporator
9	903,300,530.01	Insulator Tube
10	C164,040,120.43	Base Plate - condensing unit
11	900,301,560.01	Screw Sems
12	802,302,120.02	Fan Motor - Cond.
13	905,800,450.01	Shroud
14	900,103,370.02	Fan Blade
15	900,100,970.02-2	Silencer
16	900,100,970.02-1	Speed Nut
17	900,102,970.02	Fan Bracket
18	902,000,570.01	Grommet, compressor mounting
19	A901,803,910.11	Plug, compressor grommet
20	A900,901,880.01	Retainer Clip, compressor mounting
21	900,300,160.01	Screw, S/M #6 x 3/8
22	802,800,090.31	Temperature Control
23	900,902,090.02	Screw, 10-32 x 1 1/2"
24	903,000,170.02	Lockwasher

* Relative to Relays & Overloads, the numbers that appear in parenthesis () are always stamped on the Relay & Overload. Either # can be used for ordering purposes.

WHEN ORDERING PARTS, INDICATE MODEL # AND SERIAL # OF VENDER.
ALL PRICES ARE SUBJECT TO CHANGE WITHOUT NOTICE.

REFRIGERATION SYSTEM



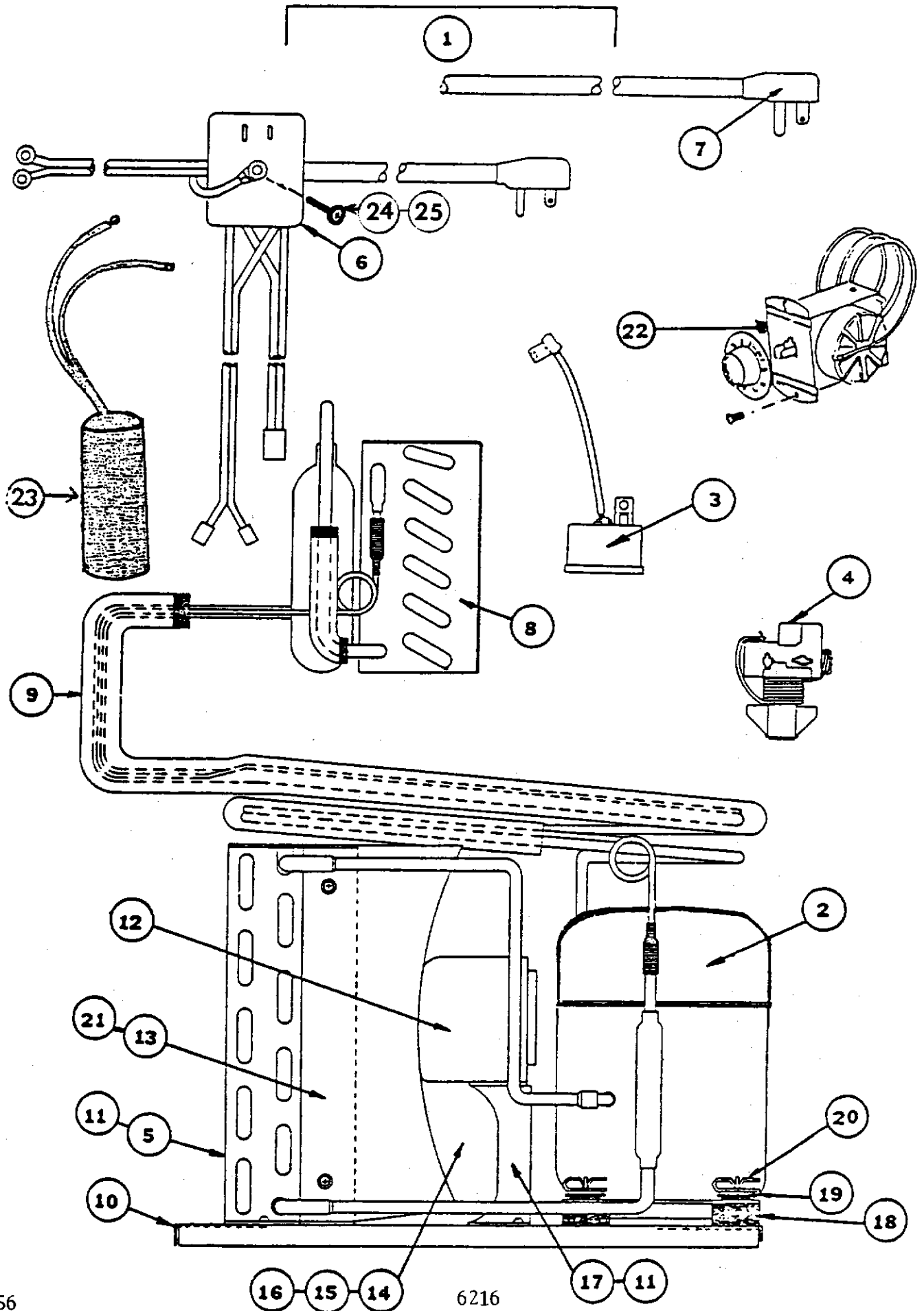
REFRIGERATION SYSTEM

Item No.	PART NUMBER	PART NAME AND DESCRIPTION
	DNCB630T/360-5 & 6 & DNCB600T/340-7 & 8	
1	D324,040,100.03	Refrigeration Unit Ass'y - Model 600T
2A	802,500,260.01	Compressor Model (1/2) H.P. - AJ4461A-Tecumseh
2B	802,500,320.01	Compressor Model (1/2) H.P. - T6213A-Aspera
3A	83919	Overload - Tecumseh
*	(MRT00AHK-115)	Overload - Tecumseh
3B	MST-16-AFN	Overload - Aspera
4A	82481-G.E.	Relay - Tecumseh
*	(3ARR2-KCR172S)	Relay - Tecumseh
4B	82003CRB41	Relay - Tecumseh
*	(Spencer 3CR127-293)	Relay - Tecumseh
4C	9660-041-180	Relay - Aspera
5	808,700,300.02	Condenser #60524
6	804,900,602.31	Main Wiring Harness
7	A904,900,610.81	Compressor - Lead with Plug
8	802,600,500.01	Evaporator
9	903,300,530.01	Insulator Tube
10	C236,040,040.13	Base Plate - Condensing Unit
11	900,301,560.01	Sems Screw
12	804,500,290.01	Fan Motor - 9 Watt
13	D805,800,340.01	Shroud
14	801,302,560.01	Fan Blade - 10"
15	900,100,970.02-2	Silencer for Motor
16	900,100,970.02-1	Speed Nut for Motor
17	900,102,970.02	Bracket for Fan Motor
18	902,000,570.01	Grommet, Compressor Mounting
19	901,803,910.11	Plug, Compressor Grommet
20	900,901,880.01	Retainer Clip
21	900,300,160.01	Screw #6 x 3/8"
22	802,800,090.31	Temperature Control
23A	85PS165A93	Capacitor for Compressor (235-282MFD) Tecumseh
23B	189-227MFD	Capacitor - Aspera
23C	35F259BDF	Capacitor - Aspera
24	900,902,090.02	Screw, 10-32 x 1 1/2"
25	903,000,170.02	Lockwasher

* Relative to Relays & Overloads, the numbers that appear in parenthesis () are always stamped on the Relay & Overload. Either # can be used for ordering purposes.

WHEN ORDERING PARTS, INDICATE MODEL # AND SERIAL # OF VENDER.
ALL PRICES ARE SUBJECT TO CHANGE WITHOUT NOTICE.

REFRIGERATION SYSTEM



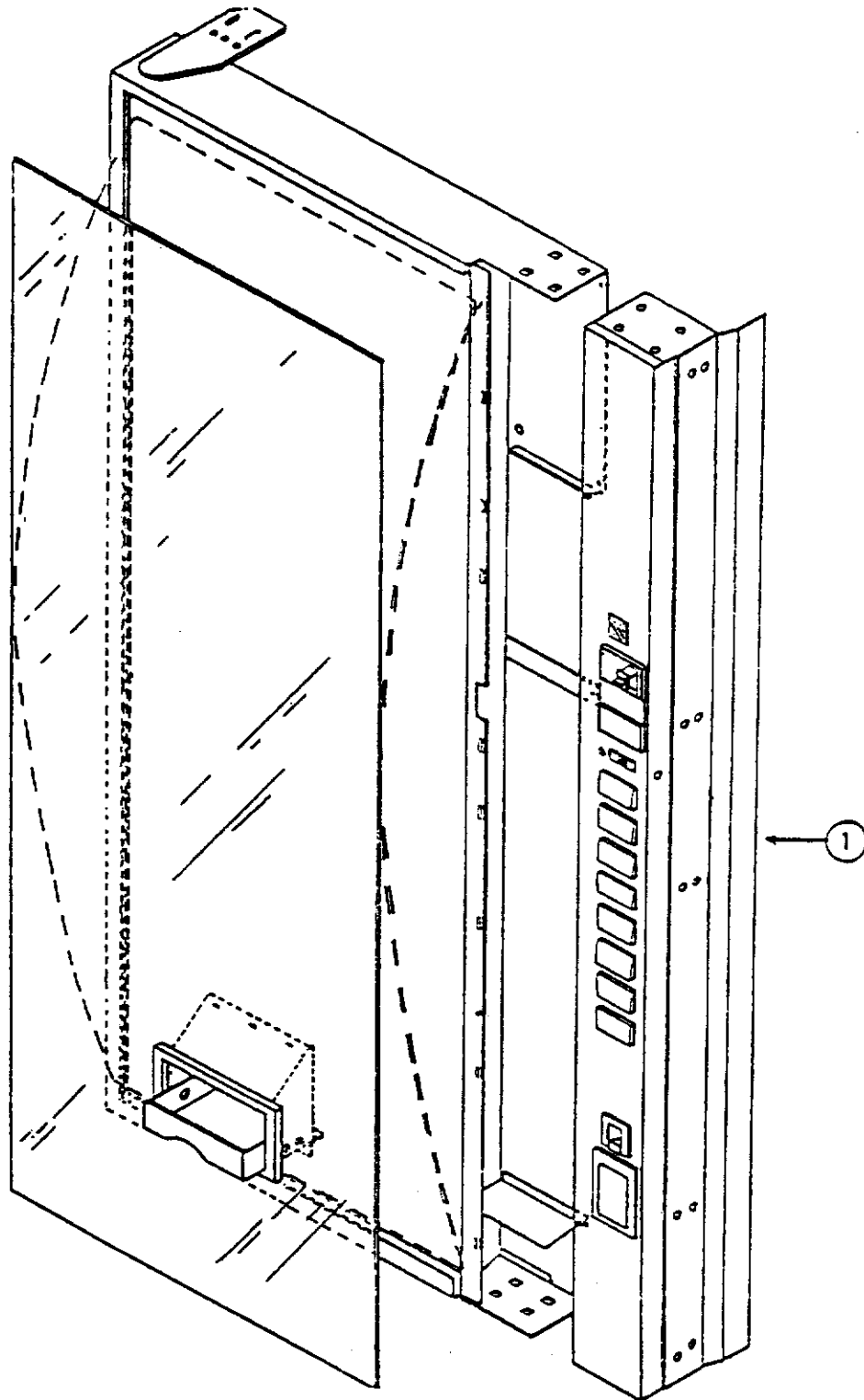
Parts List

REFRIGERATION SYSTEM

Item No.	PART NUMBER	PART NAME AND DESCRIPTION
		DNCB 630/360 - 3D 5 & 6
1	D236,040,300.03	Refrigeration Unit Ass'y. - Model 600
2	802,500,260.01	Compressor Model (1/2) H. P. - AJ4461A
3	83919	Overload
*	(MRT00AHK-115)	Overload
4a	82481-G.E.	Relay
*	(3ARR2-KCR172S)	Relay
4b	82003CRB41	Relay
*	(Spencer 3CR127-293)	Relay
5	808,700,300.02	Condenser #60524
6	804,900,602.31	Main Wiring Harness
7	A904,900,610.81	Compressor - Lead w/Plug
8	802,600,500.01	Evaporator
9	903,300,530.01	Insulator Tube
10	C236,040,040.13	Base Plate - Condensing Unit
11	900,301,560.01	Sems Screw
12	804,500,290.01	Fan Motor - 9 Watt
13	D805,800,340.01	Shroud
14	801,302,560.01	Fan Blade - 10"
15	900,100,970.02-2	Silencer For Motor
16	900,100,970.02-1	Speed - Nut - For Motor
17	900,102,970.02	Bracket - For Fan Motor
18	902,000,570.01	Grommet, Compressor Mounting
19	901,803,910.11	Plug, Compressor Grommet
20	900,901,880.01	Retainer Clip
21	900,300,160.01	Screw #6 x 3/8"
22	802,800,380.01	Temperature Control
23	85PS165A93	Capacitor For Compressor (235-282MFD-165 Volt)
24	900,902,090.02	Screw, 10-32 x 1 1/2"
25	903,000,170.02	Lockwasher

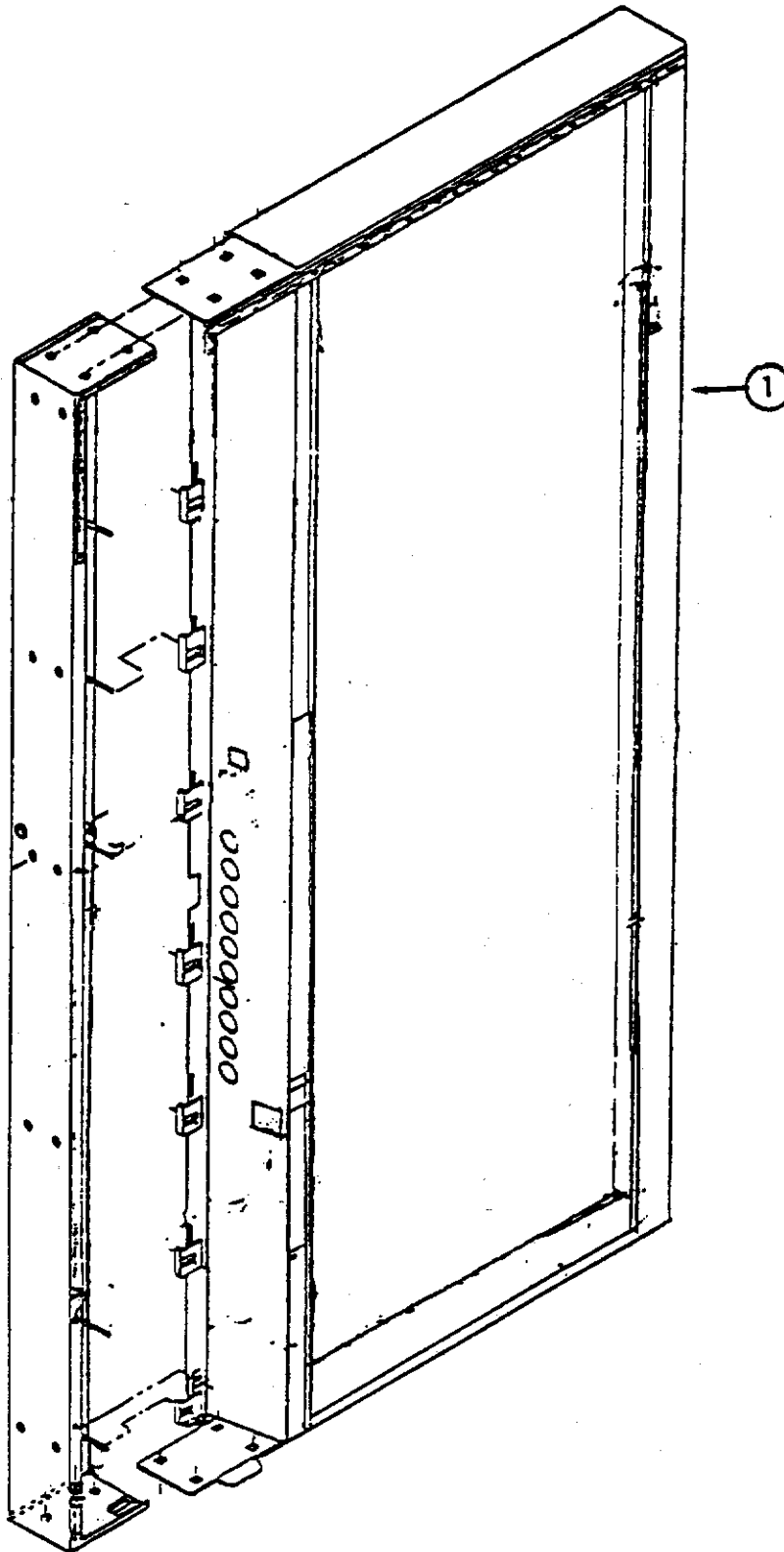
* Relative to Relays & Overloads, the numbers that appear in parenthesis () are always stamped on the Relay & Overload. Either # can be used for ordering purposes.

WHEN ORDERING PARTS, INDICATE MODEL # AND SERIAL # OF VENDER.
ALL PRICES ARE SUBJECT TO CHANGE WITHOUT NOTICE.



Item No.	PART NUMBER	PART NAME AND DESCRIPTION
1	Indicate Model # & Serial #	Main Door Ass'y.

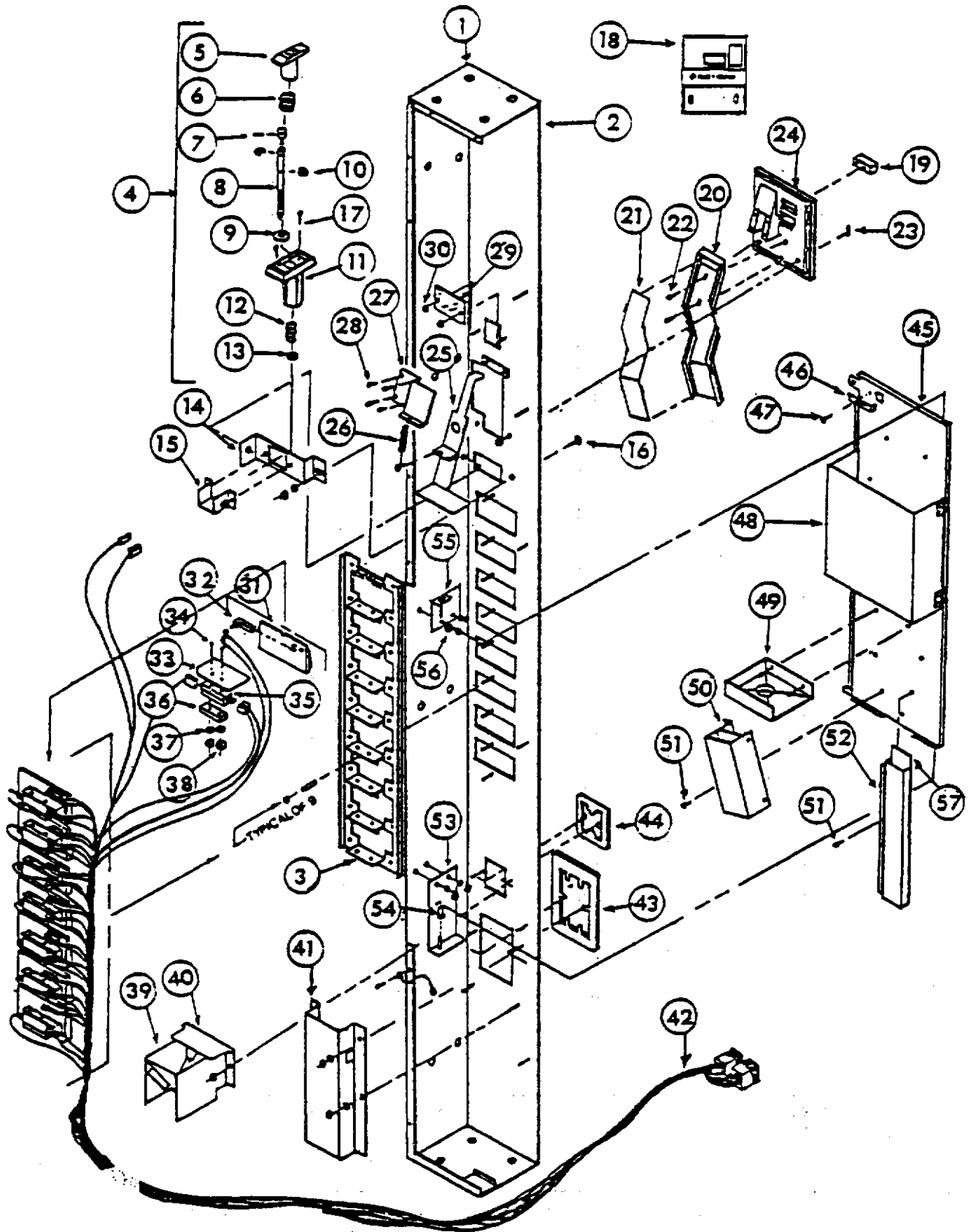
WHEN ORDERING PARTS, INDICATE MODEL # AND SERIAL # OF VENDER.
 ALL PRICES ARE SUBJECT TO CHANGE WITHOUT NOTICE.



Item No.	PART NUMBER	PART NAME AND DESCRIPTION
1	Indicate Model #, Serial #, & Trademark	Main Door W/A (Only) with Vinyl Installed
-----		-----

WHEN ORDERING PARTS, INDICATE MODEL # AND SERIAL # OF VENDER.
ALL PRICES ARE SUBJECT TO CHANGE WITHOUT NOTICE.

CONTROL PANEL ASSEMBLY - MAGNUM



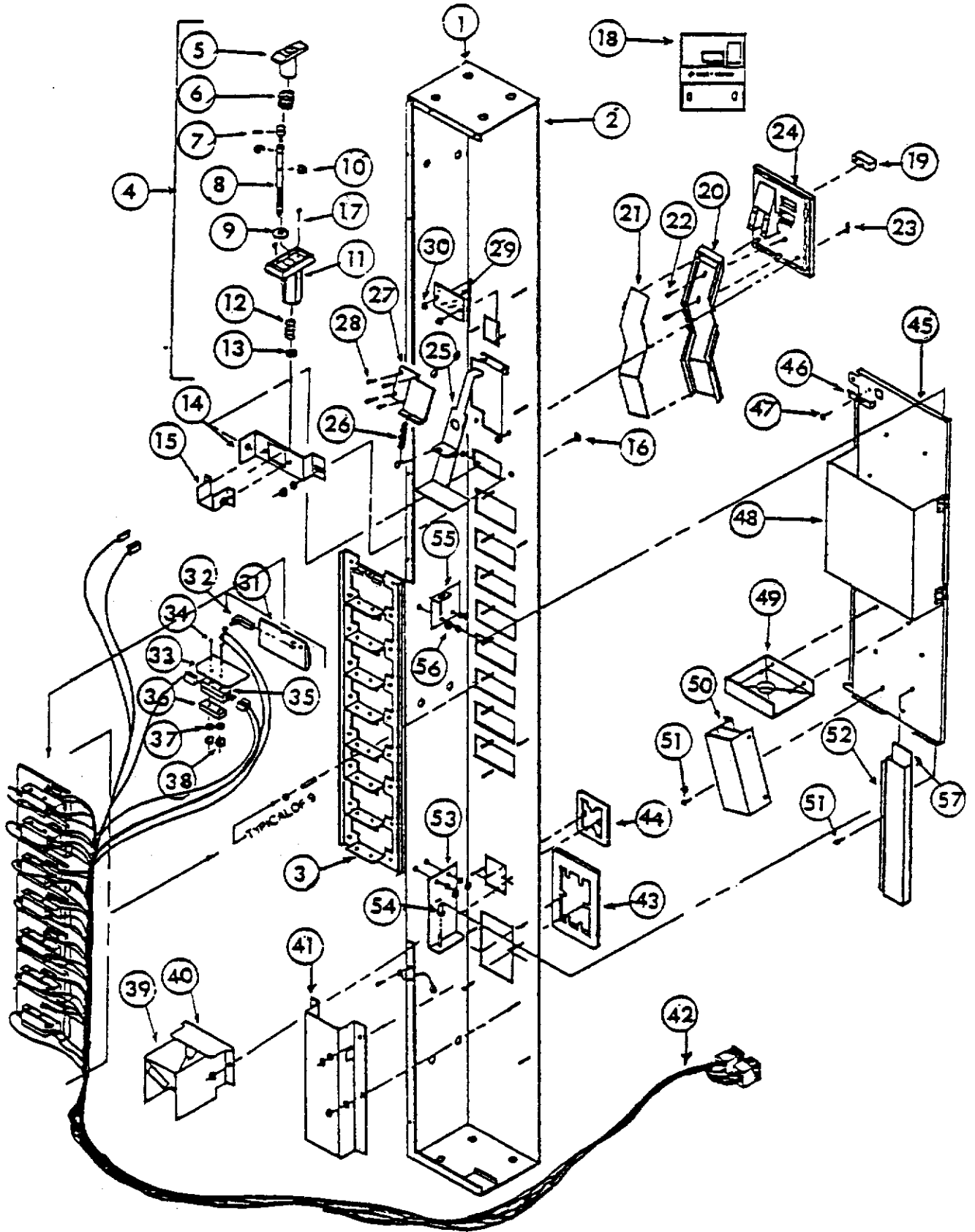
Parts List

CONTROL PANEL ASSEMBLY - MAGNUM

Item No.	PART NUMBER	PART NAME AND DESCRIPTION
1	Indicate Model # & Serial #	Control Panel Ass'y. (Includes #1-57)
2	Indicate Model # & Serial #	Control Panel Only
3	Indicate Model # & Serial #	Back Control Panel
4	801,502,870.01	T-Handle Ass'y. (Includes #5-13)
5	4265-2	Handle Only
6	901,700,640.01	Spring
7	20-31	Pin
8	4255-6-56W	Stud
9	900,700,760.01	Washer
10	31-5	Clip
11	4265-1-DN	Body
12	901,700,640.01	Spring
13	900,700,760.01	Washer
14	B360,050,460.33	Handle Mount - Magnum
15	A360,050,530.03	T-Handle Shield
16	900,201,450.01	Carriage Bolt & Nut (1/4 -20 x 1/2")
17	900,901,510.02	Screw (#10 -32 x 5/8")
18	B/M360,010,500.04	Coin Insert Ass'y. (Includes #18-28)
19	904,700,180.31	Lamp, Correct Change
20	D801,805,240.01	Coin Chute - Magnum
21	C801,805,250.01	Cover, Coin Chute - Magnum
22	900,301,700.01	Screw, Coin Chute (6 -32 x 3/8")
23	902,700,160.02	T-Bolt (8 -32 x 1/2")
24	D801,200,920.21	Coin Insert Only
25	B360,050,200.03	Coin Reject Arm W/A - Magnum
26	901,700,630.11	Spring, Coin Reject
27	A208,050,120.53	Plunger Retainer
28	900,301,700.03	Screw #6 -32 x 3/8"
29	C801,804,550.01	Price Window

WHEN ORDERING PARTS, INDICATE MODEL # AND SERIAL # OF VENDER.
ALL PRICES ARE SUBJECT TO CHANGE WITHOUT NOTICE.

CONTROL PANEL ASSEMBLY - MAGNUM

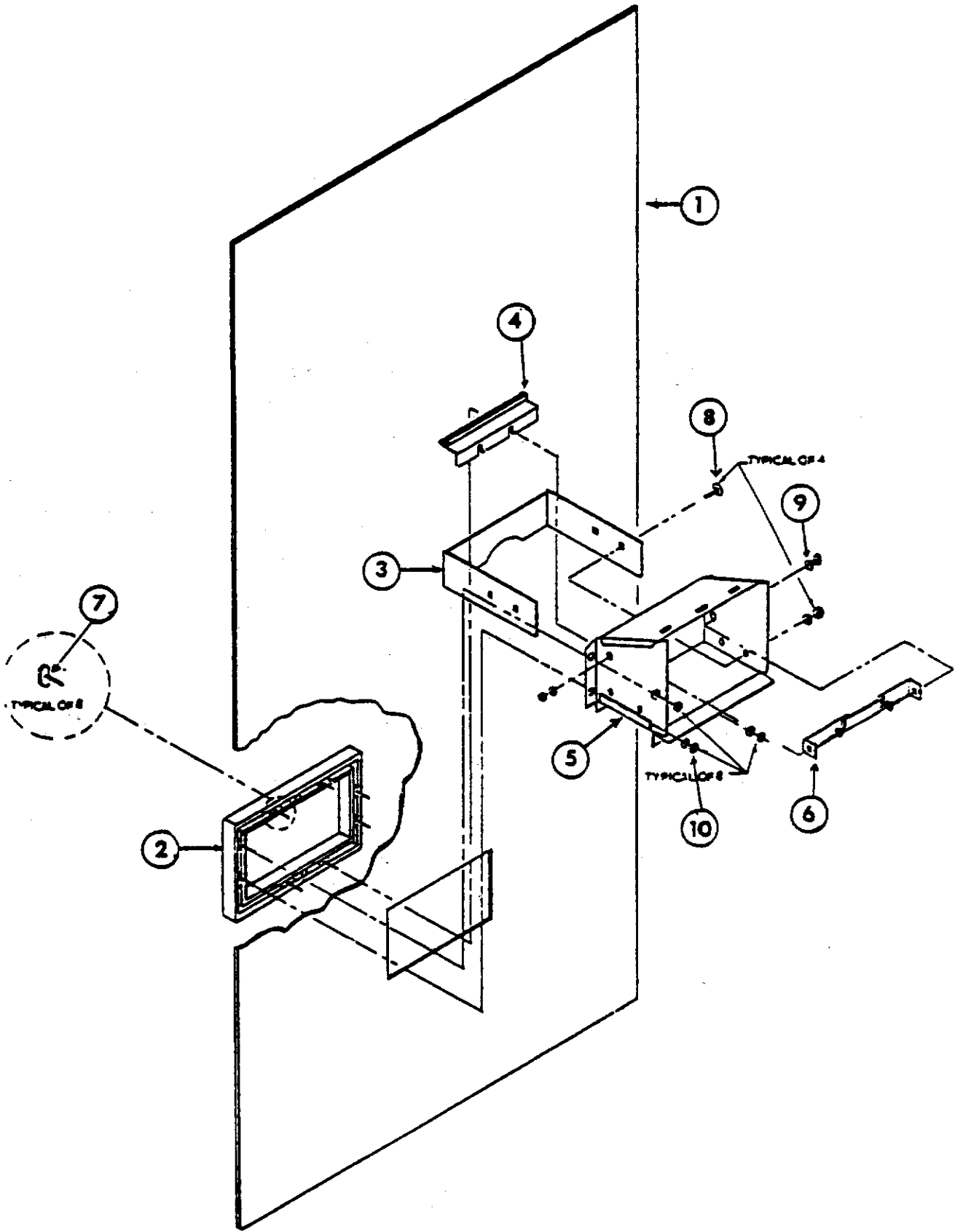


CONTROL PANEL ASSEMBLY - MAGNUM

Item No.	PART NUMBER	PART NAME AND DESCRIPTION
30	900,800,500.01	Keps Nut (#8 -32)
31	801,805,110.01	Select Button - Magnum
32	804,700,210.01	Lamp, Sold Out
33	801,804,620.01	Switch Shield & Spring
34	900,201,310.01	Screws Select Switch (6-32)
35	804,100,510.01	Select Switch
36	901,804,540.01	Spacer - Button Stop
37	(Not Needed)	Washer
38	900,800,490.01	Hex Nut - Keps
39	360,051,500.03	Coin Return Cup
40	267,050,610.0	Cover Change Cup
41	B360,050,570.13	Housing - Crown Puller
42	Indicate Model # & Serial #	Wiring Harness Control Panel
43	801,303,590.01	Bezel, Bottle Opener
44	801,303,600.01	Bezel, Coin Return
45	C360,050,290.63	Access Door
46	A360,050,440.03	Latch, Access Door
47	900,500,261.11	Screw Shoulder
48	B360,050,490.33	Changer Guard
49	801,804,300.01	Coin Hopper
50	C360,051,100.03	S/A Hopper Chute
51	900,301,560.01	Sems Screw (8 -32 x 3/8")
52	A360,050,270.13	Chute - Cash Box
53	B360,050,600.03	Bottom Hinge W/A (Access Door)
54	901,803,710.31	Bushing
55A	B360,050,500.03	W/A Top Hinge - Access Door
55B	A397,050,100.03	W/A Top Hinge-56 11/16" High Venders
56	900,700,390.01	Lock Washer
57	A360,050,260.03	Back-Chute Cash Box

WHEN ORDERING PARTS, INDICATE MODEL # AND SERIAL # OF VENDER.
ALL PRICES ARE SUBJECT TO CHANGE WITHOUT NOTICE.

SIGN AND DELIVERY PORT AREA - MAGNUM



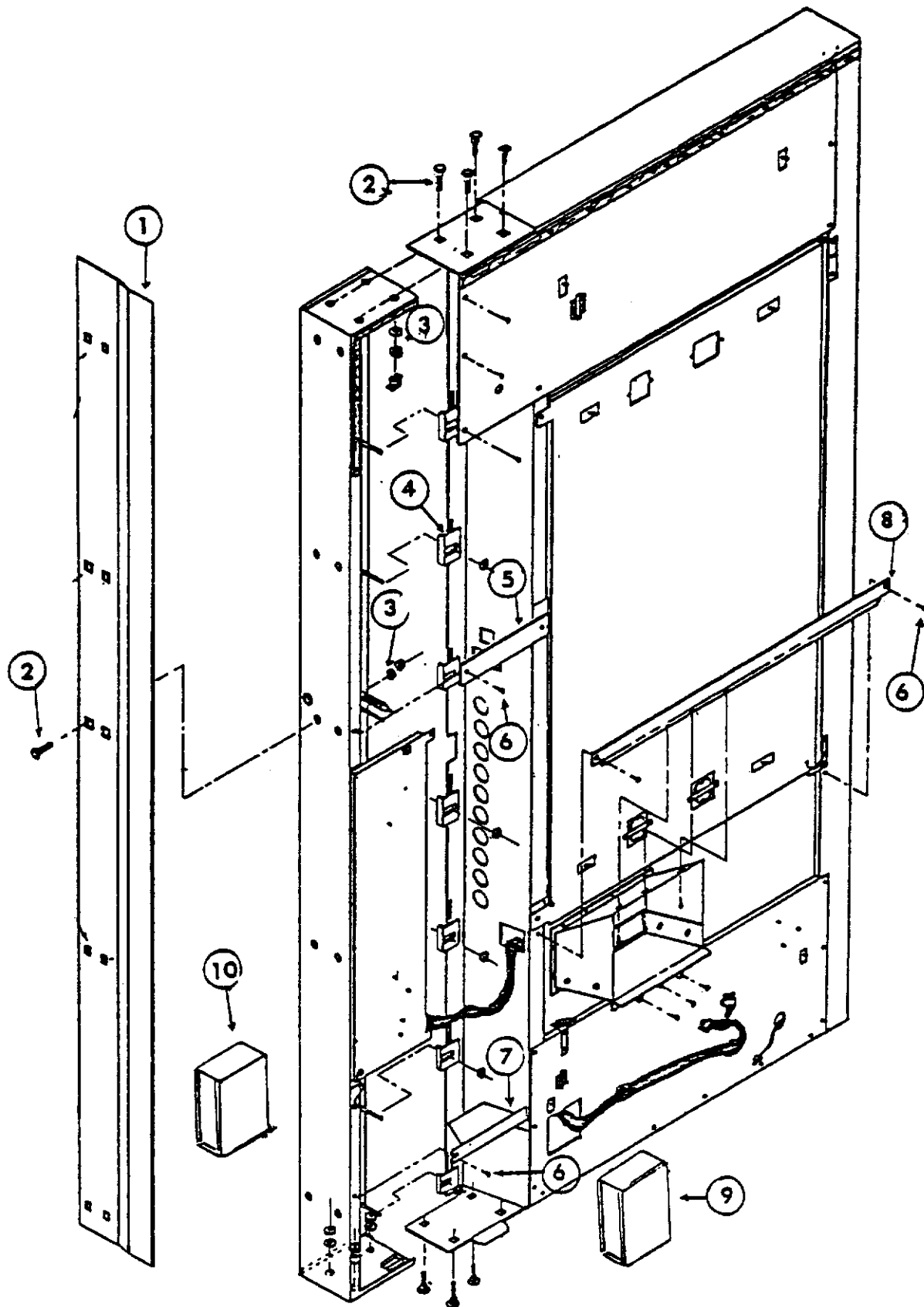
SIGN AND DELIVERY PORT AREA - MAGNUM

Item No.	PART NUMBER	PART NAME AND DESCRIPTION
1	Indicate Model # & Serial #	Sign - Magnum
2	801,602,510.11	Trim, Delivery Port
3	B360,050,370.23	Discharge Member - Magnum
4	A172,050,300.83	Bumper Ass'y.
5A	C360,050,800.13	Delivery Chute Ass'y. S/N2679 thru S/N2805
5B	C360,052,100.03	Delivery Chute Ass'y. S/n2806 and Higher
6	B360,050,380.31	Closure Strip
7	900,400,350.31	T-Bolt #8 x 3/4"
8	900,201,450.01	Carriage Bolt
9	900,800,670.01	Keps Nut
10	900,800,500.01	Keps Nut (8-32)

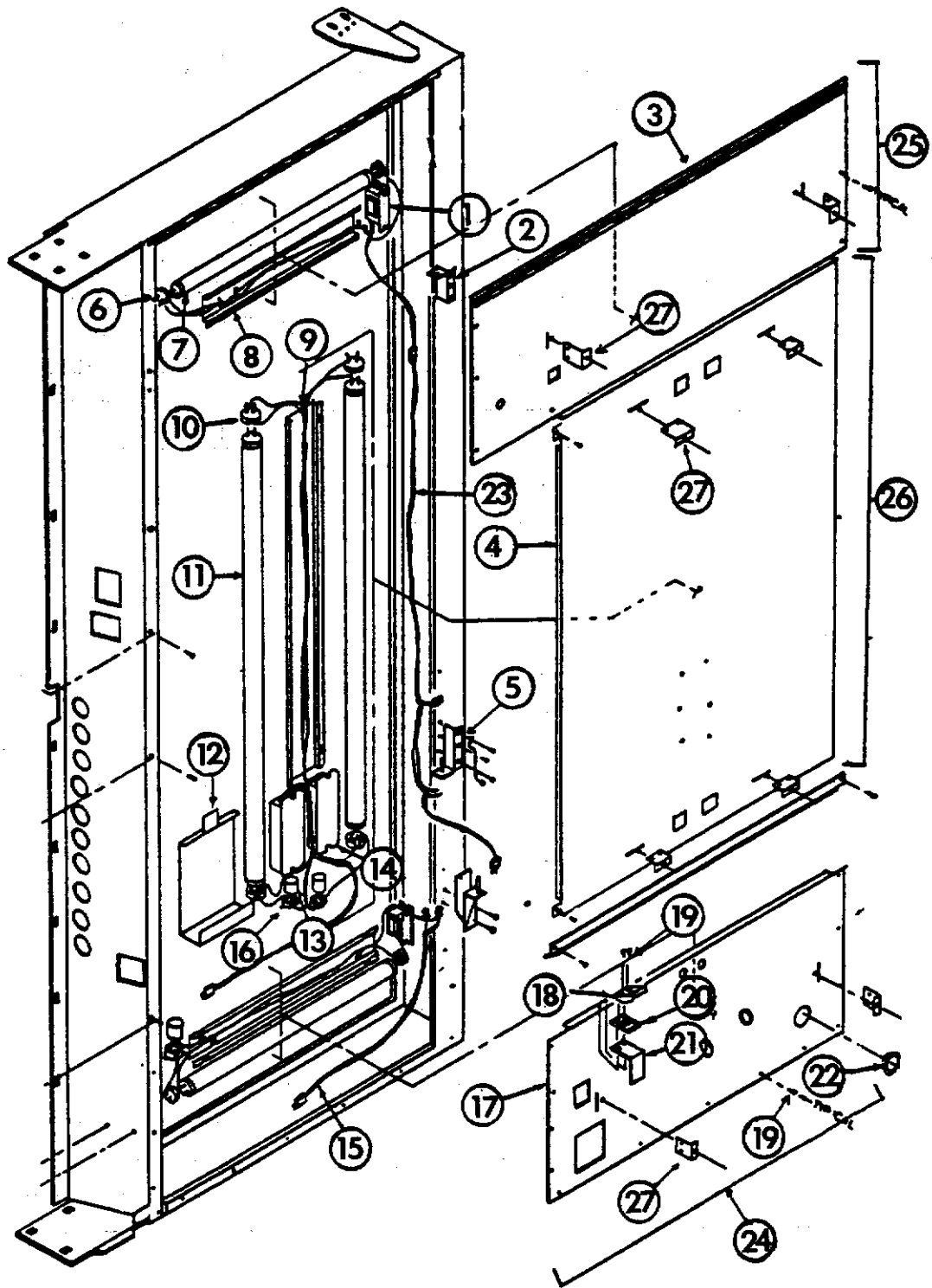
WHEN ORDERING PARTS, INDICATE MODEL # AND SERIAL # OF VENDER.
 ALL PRICES ARE SUBJECT TO CHANGE WITHOUT NOTICE.

PROTECTIVE PLATE AND INTERIOR MAIN DOOR PARTS – MAGNUM

Parts



FLUORESCENT LAMPS FOR MAGNUMS SERIALIZED 2679 THRU 2751

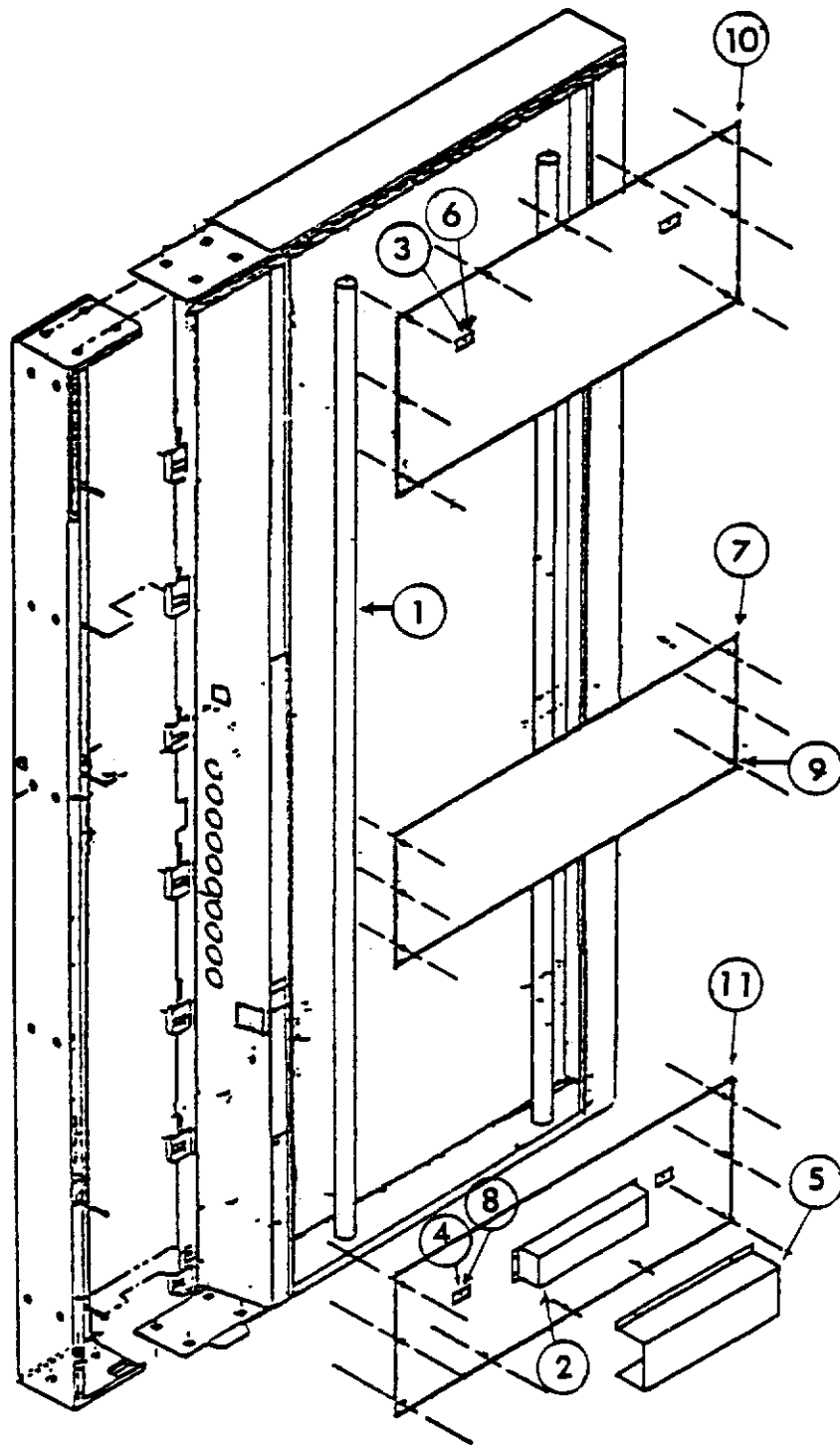


FLUORESCENT LAMPS FOR MAGNUMS SERIALIZED 2679 THRU 2751

Item No.	PART NUMBER	PART NAME AND DESCRIPTION
1	804,400,100.01	Ballast - Top and Bottom
2	A275,050,100.01	W/A Hinge - Top - Lamp Panel Door
3A	C360,050,160.03	Top Lamp Panel 440M, 414M, 630TM
3B	C363,050,070.43	Top Lamp Panel -368M, 348M, 522TM
3C	C376,050,020.23	Top Lamp Panel 320M, 304M, 432TM
4A	D360,050,190.33	Lamp Panel Door -Center-79½" & 72"
4B	D368,050,060.33	Lamp Panel Door Center-66 5/16"H
5	A267,051,500.03	W/A Hinge, Lamp Panel Door
6	904,901,230.01	Lamp Holder
7	804,700,050.01	Lamp 20 Watt - (24")
8	B360,050,180.03	Wire Cover
9	B270,050,070.01	Wire Cover - Lamp Door
10	804,700,150.01	Lamp-25 Watt 33"-66 5/16" High Venders
11	804,700,260.01	Lamp-30 Watt 36"-79½" & 72" High Venders
12	C267,050,890.03	Ballast Cover
13	904,800,540.01	Starter FS-4 Lamp
14	804,400,140.01	Ballast - S40BP Lamp Door
15	A208,051,500.03	Lamp Panel Lead
16	904,900,710.01	Starter Socket - All Magnum
17	C360,050,170.53	Bottom Lamp Panel - All Magnum
18	801,501,620.01	Strike - Latch
19	900,301,500.01	Self Drilling Screw #8 x 1/2"
20	801,501,630.01	Strike Plate - Latch
21	A394,050,110.03	Latch Roller Bracket
22	901,901,360.01	Snap Bushing
23	B360,050,300.13	Jumper Lamp Panel
24	360,051,700.03	Bottom Lamp Panel Ass'y.
25A	360,051,900.03	Top Lamp Panel Ass'y.-79½" High Venders
25B	363,050,500.03	Top Lamp Panel Ass'y.-72" & 66 5/16" H
26A	360,051,800.03	Center Lamp Panel Door Ass'y.-79½" & 72"
26B	368,050,400.03	Center Lamp Panel Door Ass'y.-66 5/16"
27	A267,050,720.13	Bracket Lamp Socket

WHEN ORDERING PARTS, INDICATE MODEL # AND SERIAL # OF VENDER.
ALL PRICES ARE SUBJECT TO CHANGE WITHOUT NOTICE.

FLUORESCENT LAMPS FOR MAGNUM SERIALIZED 2752 AND HIGHER



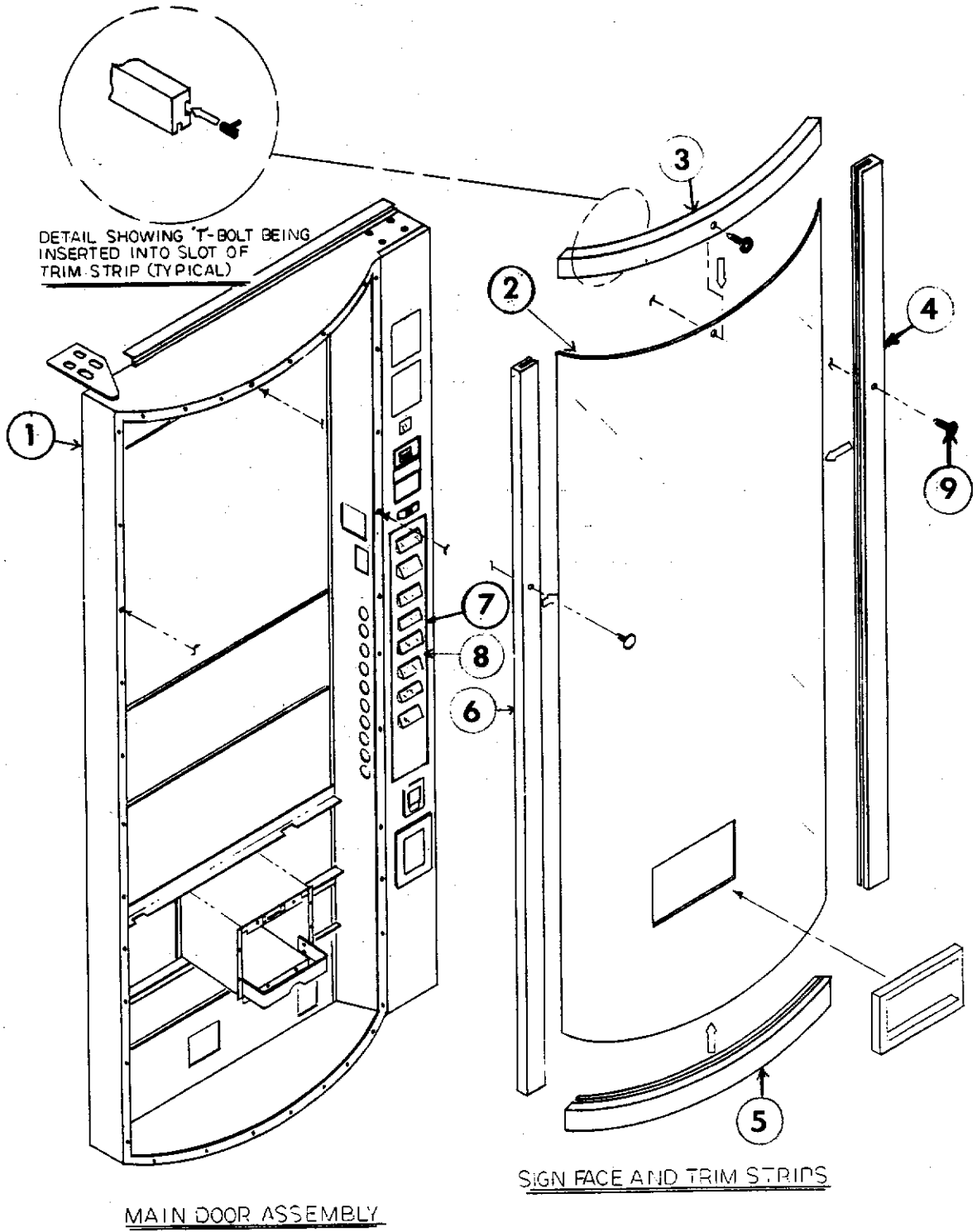
Parts List

FLUORESCENT LAMPS FOR MAGNUMS SERIALIZED 2752 AND HIGHER

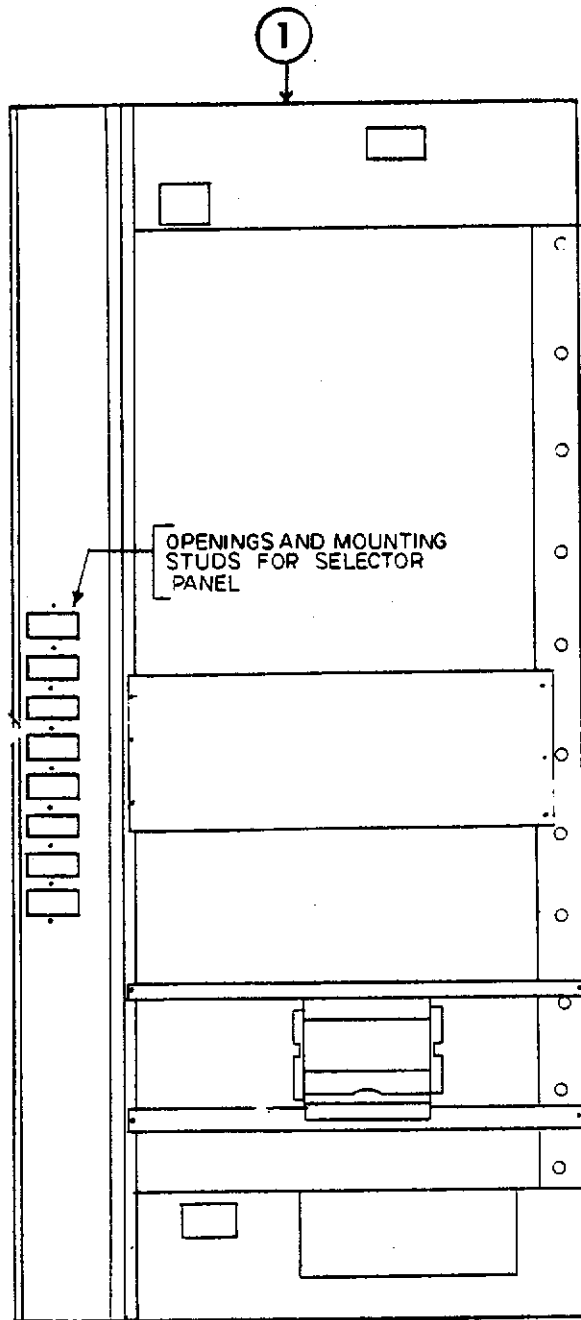
Item No.	PART NUMBER	PART NAME AND DESCRIPTION
1A	804,700,310.01	Fluorescent Bulb-72"-F72T12/D-79 1/2" Venders
1B	804,700,300.01	Fluorescent Bulb-64"-F64T12/D-72" Venders
1C	804,700,290.01	Fluorescent Bulb-60"-F60T12/D-66 5/16" Venders
1D	804,700,330.01	Fluorescent Bulb-48"-F48T12/D-56 11/16" Venders
2A	804,400,210.01	Ballast SM-2E75-S-TP-79 1/2",72",66 5/16" Venders
2B	804,400,240.01	Ballast SM-2E40-S-TP-56 11/16" Venders
3	804,901,910.01	Lamp Holder - Top
4	804,901,920.01	Lamp Holder - Bottom
5	B360,050,660.03	Cover Ballast
6	A360,050,630.03	Lamp Holder Bracket - Top
7A	360,050,650.03	Center Stiffner - 37 1/16" Venders
7B	B394,050,060.03	Center Stiffner - 276M,240M,168M,180M
8A	A360,050,640.03	Lamp Holder Bracket-Bottom-37 1/16" Wide Venders
8B	A394,050,070.03	Lamp Holder Bracket-Bottom-276M,240M,168M,180M
9	900,301,650.01	Self Drilling Screw (#8 x 1/2")
10A	C360,050,160.03	Top Lamp Panel -440M,432M,414M,600TM,630TM
10B	C363,050,070.43	Top Lamp Panel -368M,360M,348M,501TM,522TM
10C	C376,050,020.23	Top Lamp Panel -320M,304M,432TM
10D	C394,050,040.03	Top Lamp Panel -276M,168M,180M
10E	C396,050,020.03	Top Lamp Panel 240M
11A	C394,050,030.03	Bottom Lamp Panel - 276M,240M,168M,180M
11B	C360,050,170.01	Bottom Lamp Panel - 37 1/16" Wide Venders

WHEN ORDERING PARTS, INDICATE MODEL # AND SERIAL # OF VENDER.
 ALL PRICES ARE SUBJECT TO CHANGE WITHOUT NOTICE.

MAGNUM CIRCULAR MAIN DOOR ASSEMBLY



MAGNUM CIRCULAR
MAIN DOOR WELDED ASSEMBLY

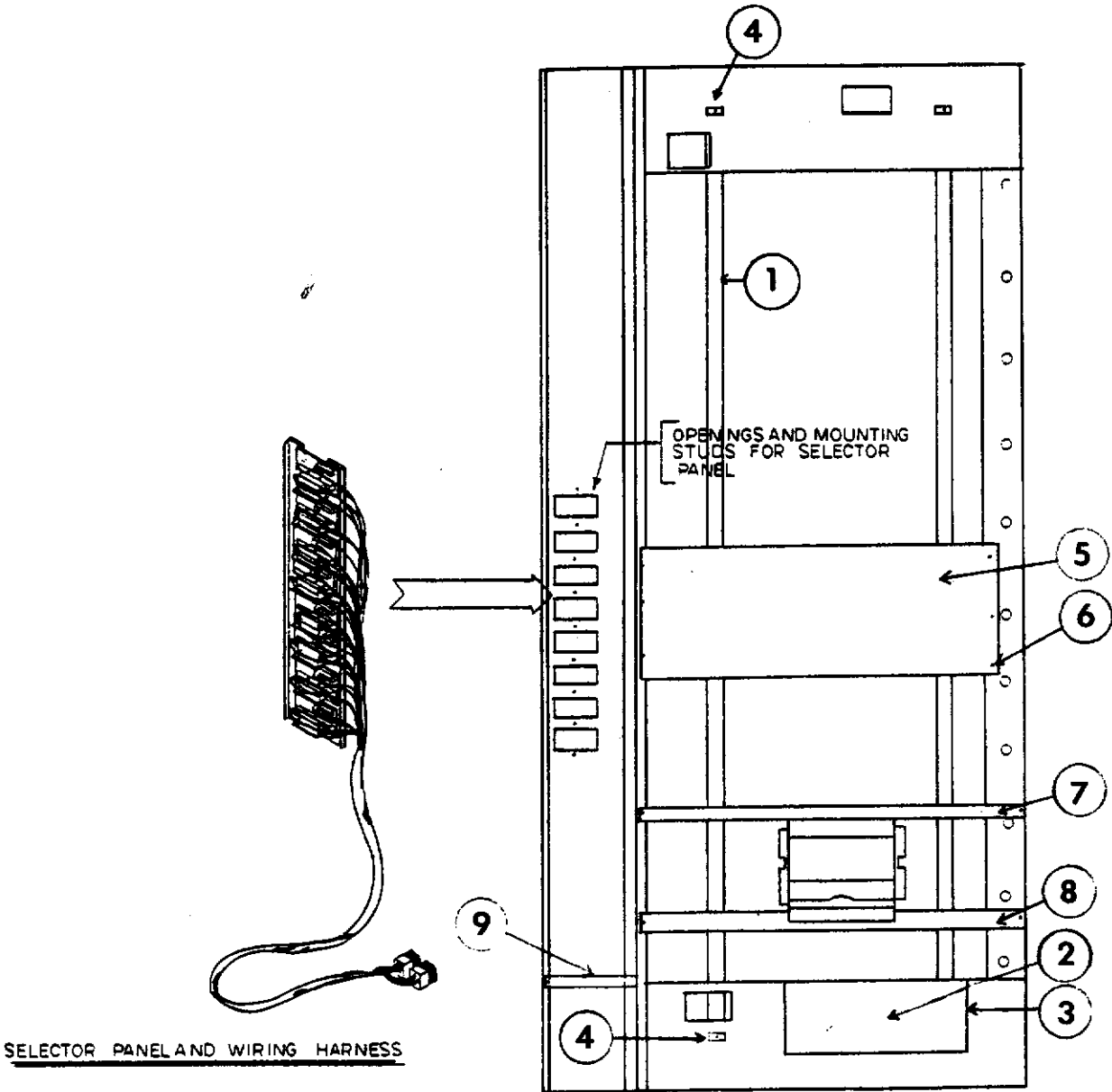


MAGNUM CIRCULAR
WELDED ASSEMBLY MAIN DOOR

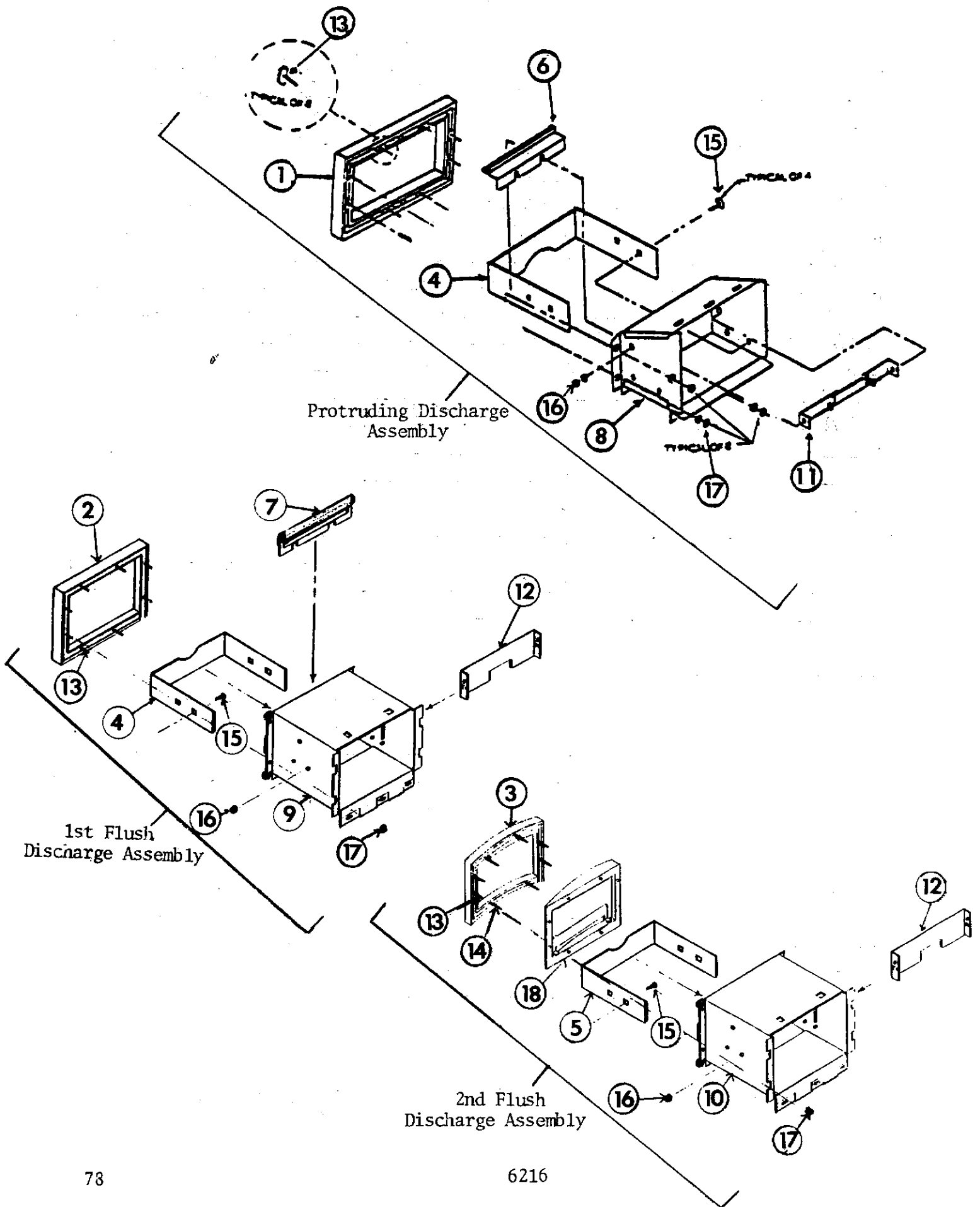
Item No.	PART NUMBER	PART NAME AND DESCRIPTION
1	Indicate Model #, Serial #, & Trademark	Main Door W/A (only) with Vinyl installed

WHEN ORDERING PARTS INDICATE MODEL # AND SERIAL # OF VENDER.
ALL PRICES ARE SUBJECT TO CHANGE WITHOUT NOTICE.

FLUORESCENT LAMPS FOR MAGNUM CIRCULAR



MAGNUM CIRCULAR DISCHARGE ASSEMBLY

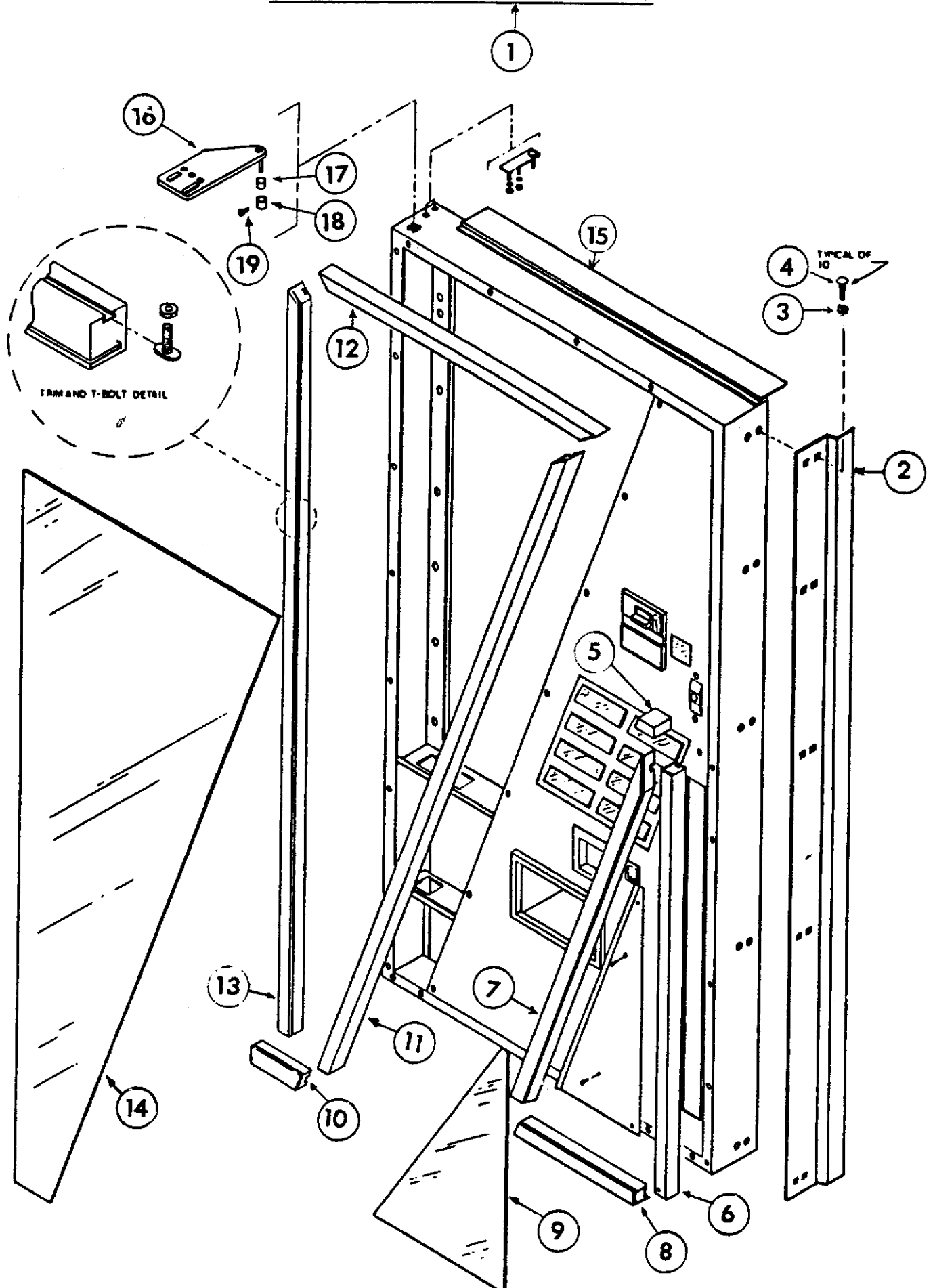


MAGNUM CIRCULAR DISCHARGE ASSEMBLY

Item No.	PART NUMBER	PART NAME AND DESCRIPTION
1	801,602,510.01	Trim, Delivery Port - Protruding
2	801,602,860.01	Trim, Delivery Port - 1st Flush
3	801,602,860.13	Trim, Delivery Port - 2nd Flush
4	B360,050,370.23	Discharge Member - Protruding & 1st Flush
5	B399,050,240.03	Discharge Member - 2nd Flush
6	A172,050,300.83	Bumper Ass'y. - Protruding
7	399,050,600.03	Bumper Ass'y. - 1st Flush
8	C399,050,200.03	Delivery Chute Ass'y. - Protruding
9	B399,050,300.03	Delivery Chute Ass'y. - 1st Flush
10	B399,050,300.13	Delivery Chute Ass'y. - 2nd Flush
11	B360,050,380.31	Closure Strip - Protruding
12	B399,050,150.13	Closure Strip - Flush
13	900,400,350.31	T-Bolt #8 x 3/4" - Protruding & Flush
14	A900,400,410.01	T-Bolt #8 x 1/38" (Typical of 6) 2nd Flush
15	900,201,170.01	Carriage Bolt
16	900,800,670.01	Keps Nut 1/4-20
17	900,800,500.01	Keps Nut 8-32
18	D801,805,500.11	Port Spacer - 2nd Flush Only

WHEN ORDERING PARTS, INDICATE MODEL # AND SERIAL # OF VENDER.
ALL PRICES ARE SUBJECT TO CHANGE WITHOUT NOTICE.

MAIN DOOR ASSEMBLY - CENTURY II

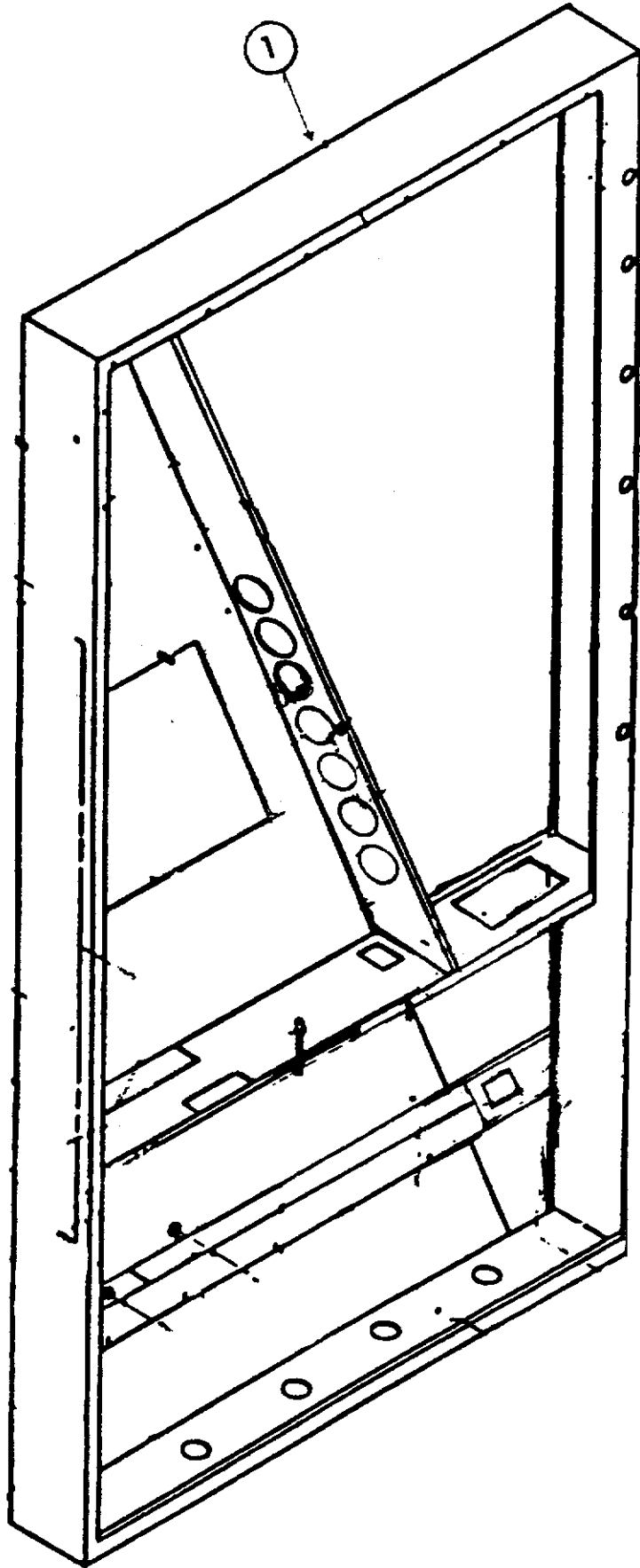


MAIN DOOR ASSEMBLY CENTURY II

Item No.	PART NUMBER	PART NAME AND DESCRIPTION
1	INDICATE MODEL#, SERIAL#, & TRADEMARK	Main Door Assembly
2	INDICATE MODEL#, SERIAL#, & TRADEMARK	Protective Plate Door
3	900,800,670.01	Keps Nuts
4	900,201,450.01	Carriage Bolt (1/4-20)
5	INDICATE MODEL#, SERIAL#, & TRADEMARK	Cap, Trim
6	INDICATE MODEL#, SERIAL#, & TRADEMARK	Trim, R.S. Dr Pepper Red Bottom
7	INDICATE MODEL#, SERIAL#, & TRADEMARK	Trim, L.S. Dr Pepper Red Bottom
8	INDICATE MODEL#, SERIAL#, & TRADEMARK	Trim, Bottom Dr Pepper Red
9	805,005,710.01	Sign Face Century II Bottom
10	INDICATE MODEL#, SERIAL#, & TRADEMARK	Trim, Bottom Dr Pepper Maroon
11	INDICATE MODEL#, SERIAL#, & TRADEMARK	Trim, R.S. Dr Pepper Maroon
12	INDICATE MODEL#, SERIAL#, & TRADEMARK	Trim, Top Dr Pepper Maroon
13	INDICATE MODEL#, SERIAL#, & TRADEMARK	Trim, L.S. Dr Pepper Maroon
14	INDICATE MODEL#, SERIAL#, & TRADEMARK	Sign Face Century II
15	INDICATE MODEL#, SERIAL#, & TRADEMARK	Rain Guard
16	B801,501,710.31	Top Hinge - Main Door
17	801,803,150.01	Bearing, Nyliner
18	800,502,030.01	Collar, Hinge Pin
19	901,201,260.01	Lock - Screw

WHEN ORDERING PARTS, INDICATE MODEL # AND SERIAL # OF VENDER.
ALL PRICES ARE SUBJECT TO CHANGE WITHOUT NOTICE.

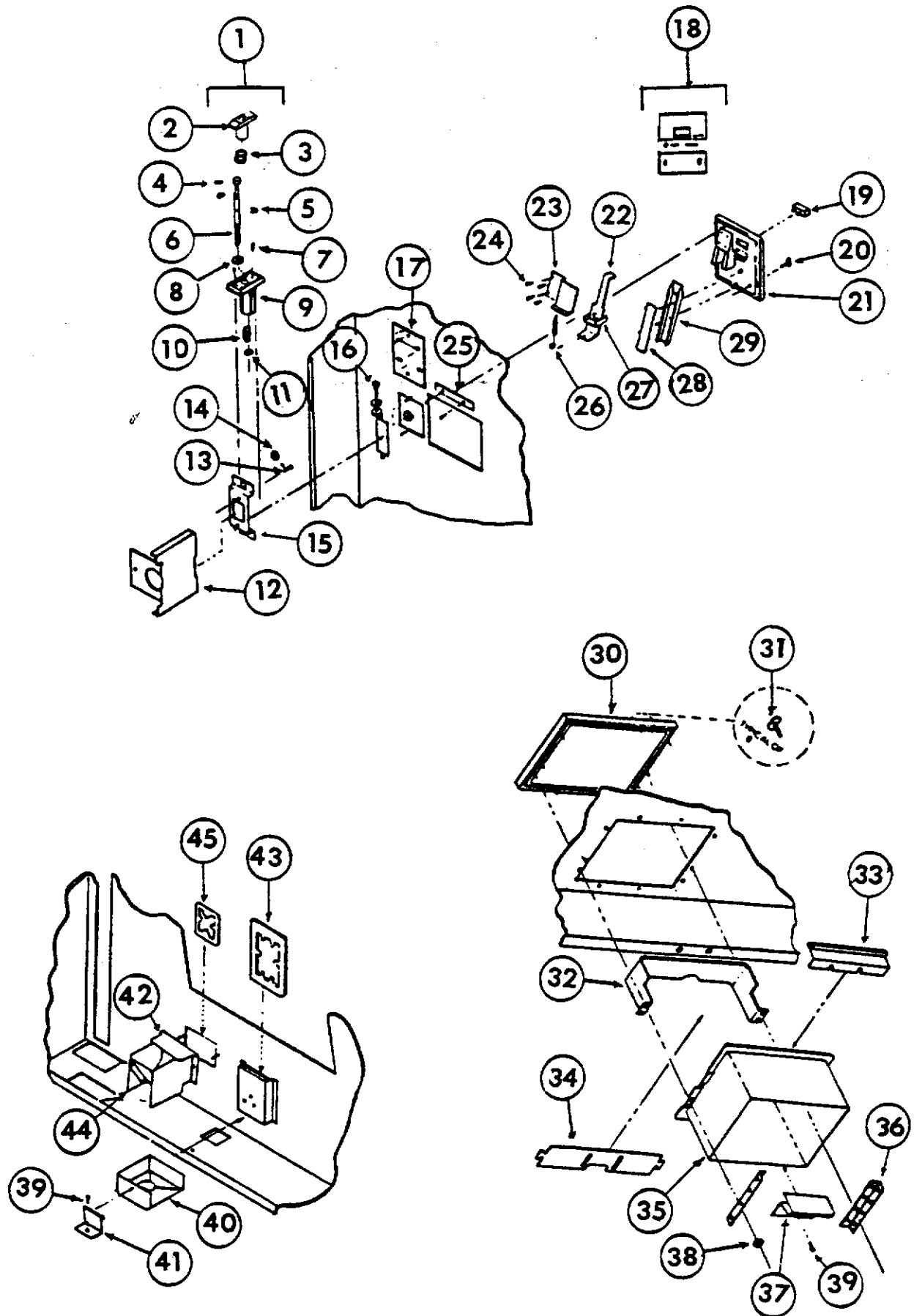
MAIN DOOR W/A - CENTURY II



MAIN DOOR W/A CENTURY II

Item No.	PART NUMBER	PART NAME AND DESCRIPTION
1	Indicate Model #, Serial #, & Trademark	Main Door W/A

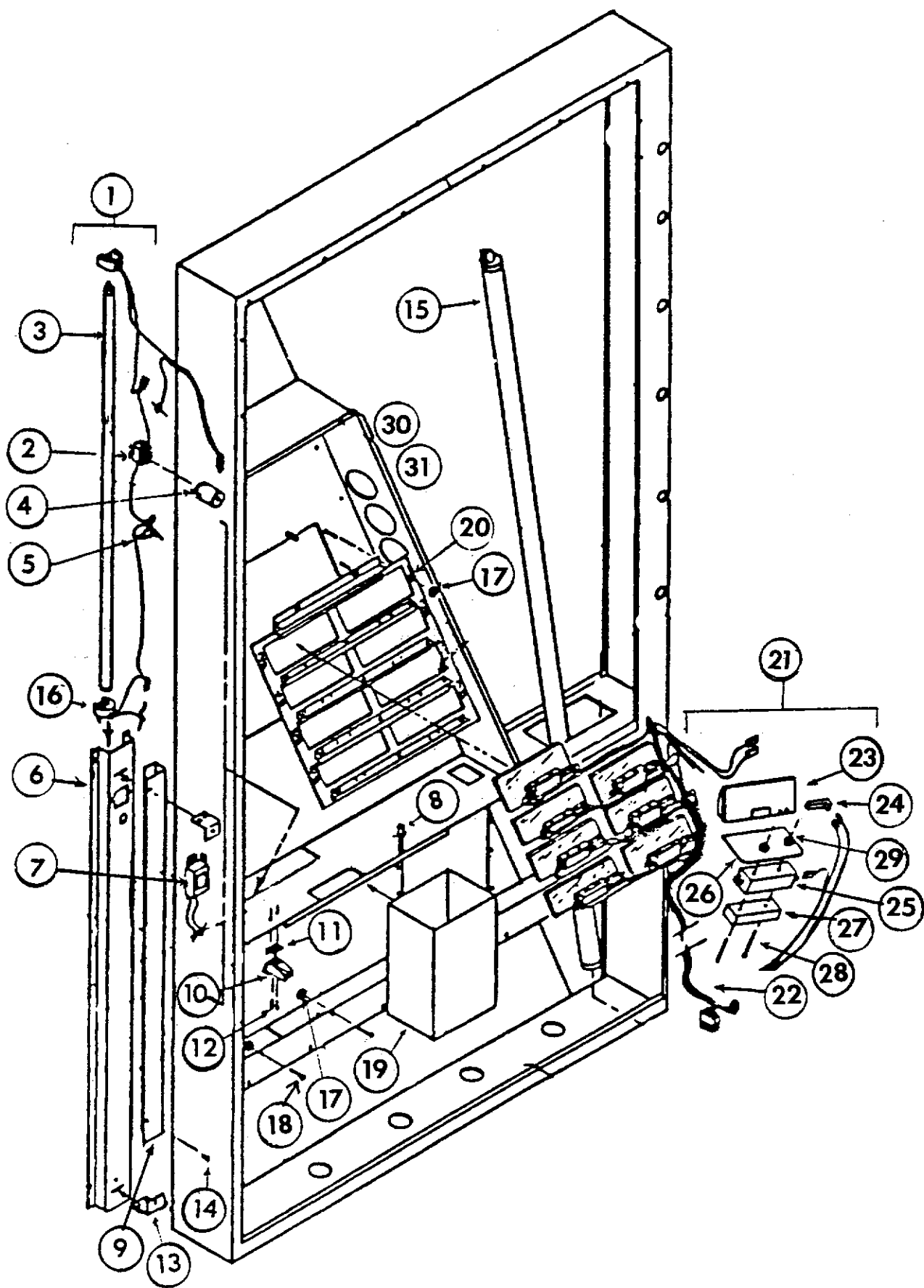
MAIN DOOR PARTS - ALL CENTURY II



MAIN DOOR PARTS - ALL CENTURY II

Item No.	PART NUMBER	PART NAME AND DESCRIPTION
1	801,502,860.01	Tee Handle Ass'y. (#1-11) (Black)
2		Handle (only)
3	900,700,760.01	Washer
4	20-31	Pin
5	31- 5	C-Clip
6	4255-6-56W	Stud
7	900,901,510.02	Screw
8		Washer-Hex.
9		Body (only)
10	901,700,640.01	Spring
11	900,700,760.01	Washer
12	B267,050,191.33	Brace Tee Handle
13	900,901,510.02	Machine Screw (#10-32 x 5/8")
14	900,800,650.01	Keps Nut (10-32)
15	B267,050,480.13	Handle Mount
16	900,201,450.01	Carriage Bolt & Nut (1/4-20)
17	C801,804,550.01	Price Window
18	B/M 213,010,600.04	Coin Insert Ass'y. (Black) (#18-29)
19	904,700,180.11	Lamp, Correct Change
20	902,700,160.01	T-Bolt (8-32 x 1/2")
21	801,201,110.01	Coin Insert (only) (Black)
22	801,303,610.51	Plunger, Coin Return
23	208,050,120.83	Plunger Retaining Plate
24	900,301,700.01	Screw (S/M #6)
25	A143,051,220.73	Retainer Coin Insert
26	901,700,630.11	Spring, Coin Reject
27	801,805,270.01	Drip Chute
28	801,805,380.01	Cover, Coin Chute
29	801,805,370.11	Coin Chute
30	801,602,510.11	Trim Del. Port
31	900,400,350.31	T-Bolt (#8-32 x 3/4")
32	B231,050,300.03	Discharge Member
33	A172,050,300.73	Bumper Ass'y.
34	B172,050,031.33	Closure Strip
35	801,804,220.01	Delivery Chute
36	B169,050,371.13	Reinforcement Strip
37	383,050,390.03	Port Retainer
38	900,800,500.01	Keps Nut (#8-32)
39	900,301,500.01	Screws #8 Self Drilling
40	801,804,300.01	Hopper, Crown Puller
41	A176,150,330.13	Support - Hopper
42	A267,050,610.13	Cover - Change Cup
43	801,303,660.01	Bezel (Coin Return Black)
44	360,051,500.03	Coin Return Cup
45	801,303,650.01	Bezel, (Opener Black)

MAIN DOOR INTERIOR PARTS - CENTURY II

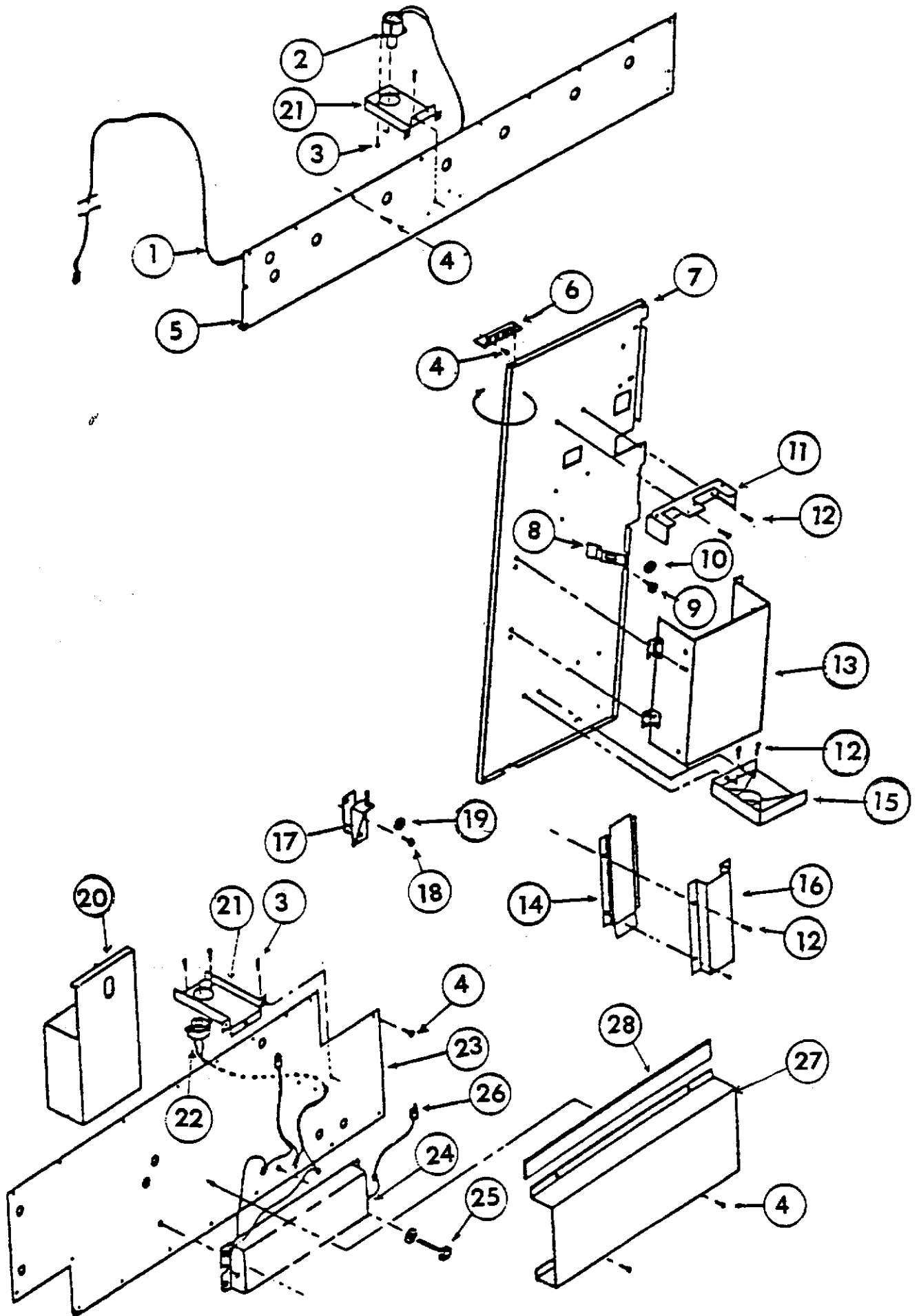


MAIN DOOR INTERIOR PARTS CENTURY II

Item No.	PART NUMBER	PART NAME AND DESCRIPTION
1	383,050,700.03	Lamp Panel Ass'y. Complete
2	904,900,710.01	Starter Socket
3	804,700,320.01	Fluorescent Bult (30")
4	904,800,410.01	Starter (FS-25)
5	904,800,520.01	Scotlok #557
6A	C383,050,230.53	Lamp Panel Only - All Wide Century Venders
6B	403,050,090.03	Lamp Panel Only - All Narrow Century Venders
7	804,400,160.01	Ballast (SP25B)
8	901,803,710.01	Nyliner
9	B383,050,240.43	Wire Cover
10	901,501,620.51	Latch Strike
11	901,501,630.01	Adjustment Plate
12	900,301,500.01	Screw Self Drilling
13	A383,050,360.01	Bracket Lamp Holder
14	900,301,700.01	Screw #6 (S/M)
15A	804,700,310.01	Fluorescent Bulb-(F72T12D) 440C,414C,600TC
15B	804,700,300.01	Fluorescent Bulb-(F64T12D) 368C,348C,501TC
15C	804,700,290.01	Fluorescent Bulb-(F60T12D) 320C,304C,432TC
15D	804,700,340.01	Fluorescent Bulb-276C
15E	804,700,150.01	Fluorescent Bulb-240C
15F	804,700,050.01	Fluorescent Bulb-168C,180C
16	904,901,230.01	Lamp Holder
17	900,800,500.01	Keps Nut (#8-32)
18	900,301,550.01	Sems Screw (Long)
19	B383,050,100.03	Crown Catcher W/A
20	Indicate Model# & Serial#	Control Panel W/A
21	Indicate Model# & Serial#	Control Panel Ass'y.
22	Indicate Model# & Serial#	Wiring Harness Control Panel
23	801,805,310.01	Select Button
24	804,700,210.01	Sold Out Lamp
25	804,100,510.01	Select Switch
26	801,804,620.01	Switch Shield & Spring
27	901,804,540.01	Button Stop
28	900,201,310.01	Machine Screw (6-32)
29	900,800,490.01	Keps Nut (6-32)
30A	407,050,080.03	Lamp Bracket 168C & 180C
30B	406,050,070.03	Lamp Bracket 240C
31A		Lamp Panel Ass'y 240C
31B		Lamp Panel Ass'y. 168C & 180C

WHEN ORDERING PARTS, INDICATE MODEL # AND SERIAL # OF VENDER.
ALL PRICES ARE SUBJECT TO CHANGE WITHOUT NOTICE.

MAIN DOOR PARTS ACCESS AREA - CENTURY II

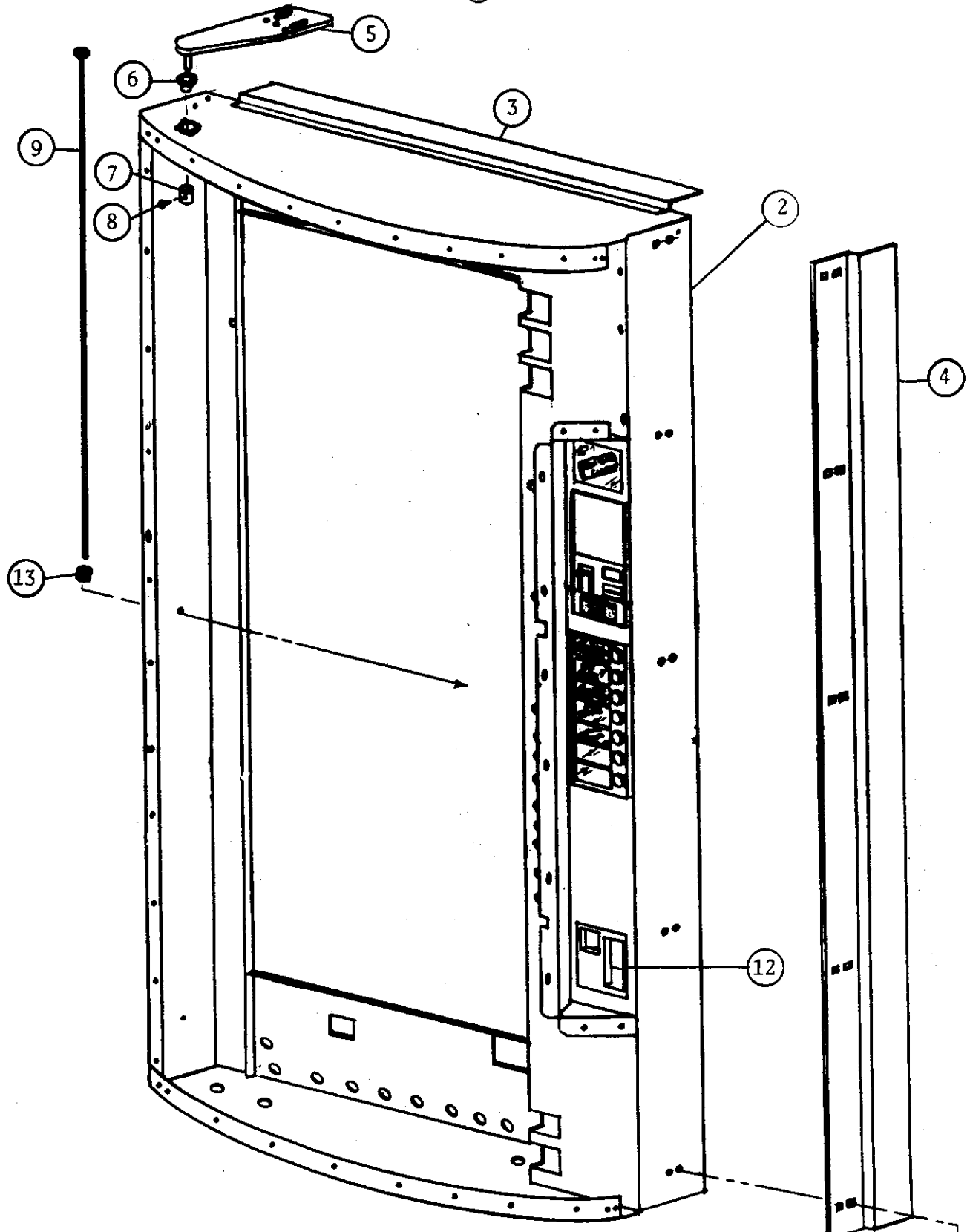


Item No.	PART NUMBER	PART NAME AND DESCRIPTION
1	A383,050,300.03	Jumper Top Panel
2	804,901,910.01	Lamp Holder (Top)not used on 168C,180C,240C
3	900,301,700.01	Screws #6 S/M
4	901,301,500.01	Screw Self Drilling
5	C383,050,340.93	Top Panel - Wide Century Venders Only
6	A383,050,200.13	Hinge W/A Top Access
7	C383,050,270.23	Access Door
8	A267,050,170.13	Latch - Century II
9	900,502,610.01	Shoulder Screw
10	900,800,500.01	Keps Nut #8-32
11	B176,450,290.43	Bracket, Changer & Relay
12	900,301,560.01	Screw, (Sems #8)
13	B267,050,430.13	Changer Guard
14	B267,050,570.13	Back, Chute Coin (Century II)
15	801,804,300.01	Change Hopper
16	B267,050,920.13	Chute, Coin (Century II)
17	A169,051,101.33	Hinge W/A Bottom Inner Door
18	900,201,140.01	Machine Screw (10-32) Inner Door
19	900,800,650.01	Keps Nut (10-32)
20	B267,052,600.03	Cash Box - Century II
21A	B383,050,330.33	Bracket Lamp Socket - Wide Century Venders
21B	383,050,490.03	Bracket Lamp Socket-276C-not used on 168C180C240C
22	804,901,920.01	Lamp Holder - (Bottom) not used on 168C,180C,240C
23A	C383,050,320.53	Door Stiffener-Wide Century Venders
23B	B275,050,090.33	Door Stiffener-Narrow Century Venders
24A	804,400,210.01	Ballast SM-2E75-STP- Wide Century Venders
24B	804,400,250.01	Ballast SM-140-STP - 276C
24C	804,400,160.01	Ballast SP25B - 240C
24D	804,400,100.01	Ballast SP3 - 168C, 180C
25	900,301,730.01	Screw Hex Head - Sems
26	904,600,710.01	Plug Two Way
27	B360,050,660.23	Cover Ballast - not used on 168C,180C,240C
28	903,600,410.01	Tape, Sealer (15" ea.)not used on 168C,180C,240C

WHEN ORDERING PARTS, INDICATE MODEL # AND SERIAL # OF VENDER.
ALL PRICES ARE SUBJECT TO CHANGE WITHOUT NOTICE.

MAIN DOOR ASSEMBLY
LANDSCAPE COKE

①

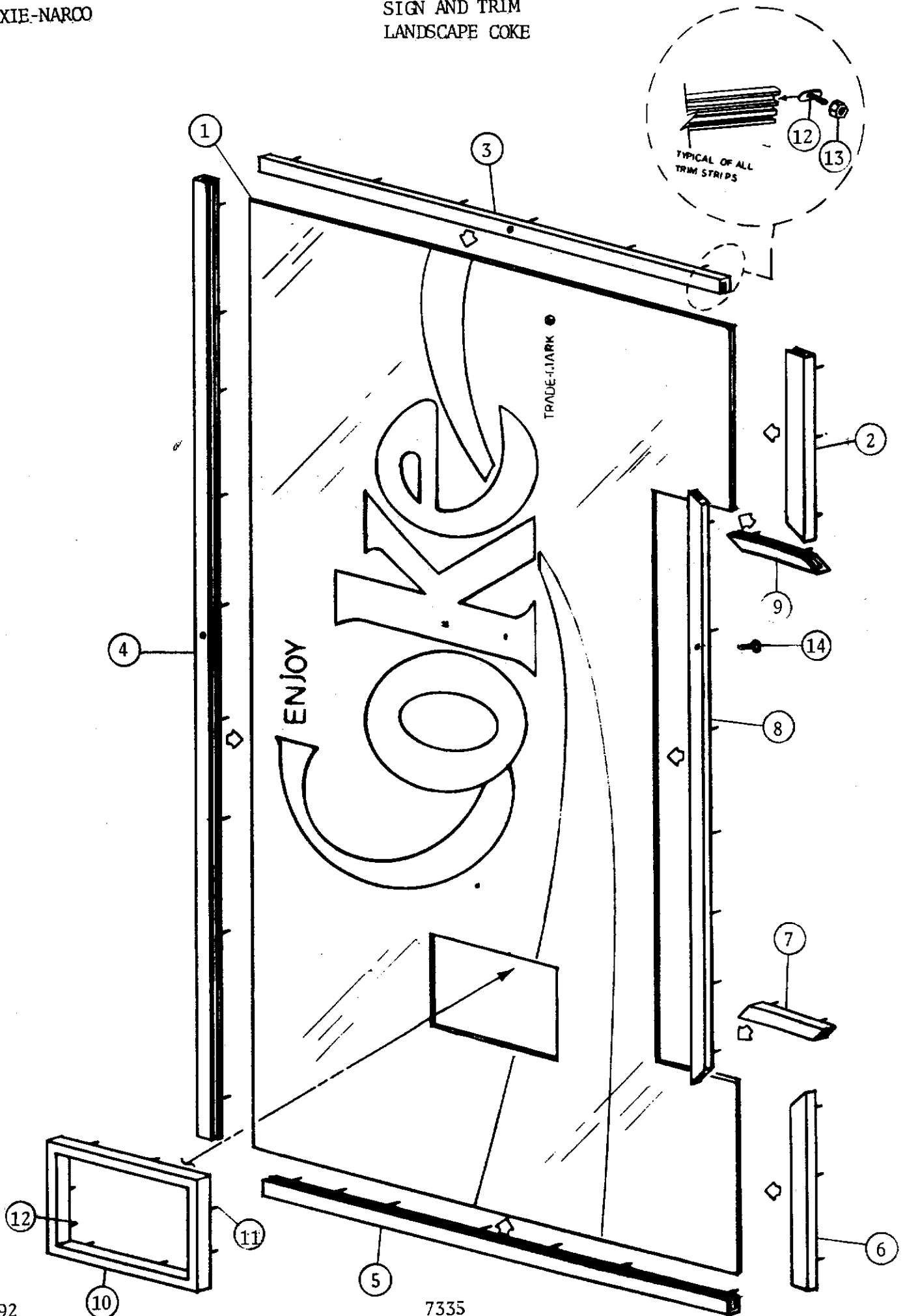


⑩
⑪
TYPICAL OF 10

Item No.	Part Number	Part Name and Description
1	Indicate Model # & Serial #	Main Door Assembly (Includes Sign)
2	Indicate Model # & Serial #	Main Door W/A - Shell of Door Only
3A	B164,151,142.23	Rain Guard - 36" Wide Venders
3B	B169,050,342.03	Rain Guard - 28" Wide Venders
4A	164,150,331.23	Protective Plate, Door - 79 1/2" Venders
4B	165,150,331.03	Protective Plate, Door - 72" Venders
4C	166,150,331.03	Protective Plate, Door - 66 5/16" Venders
4D	168,050,331.23	Protective Plate, Door - 56 11/16" Venders
5	801,501,710.03	Top Door Hinge
6	801,803,150.01	Nyliner Top Door Hinge
7	800,502,030.01	Collar Hinge Pin
8	900,201,260.01	Lock Screw
9A	900,502,510.11	Door Rod - 36" Wide Venders
9B	900,502,520.01	Door Rod - 28" Wide Venders
10	900,800,670.01	Keps Nut
11	900,201,450.01	Carriage Bolt
12	801,805,610.01	Bezel
13	900,800,500.01	Keps Nut

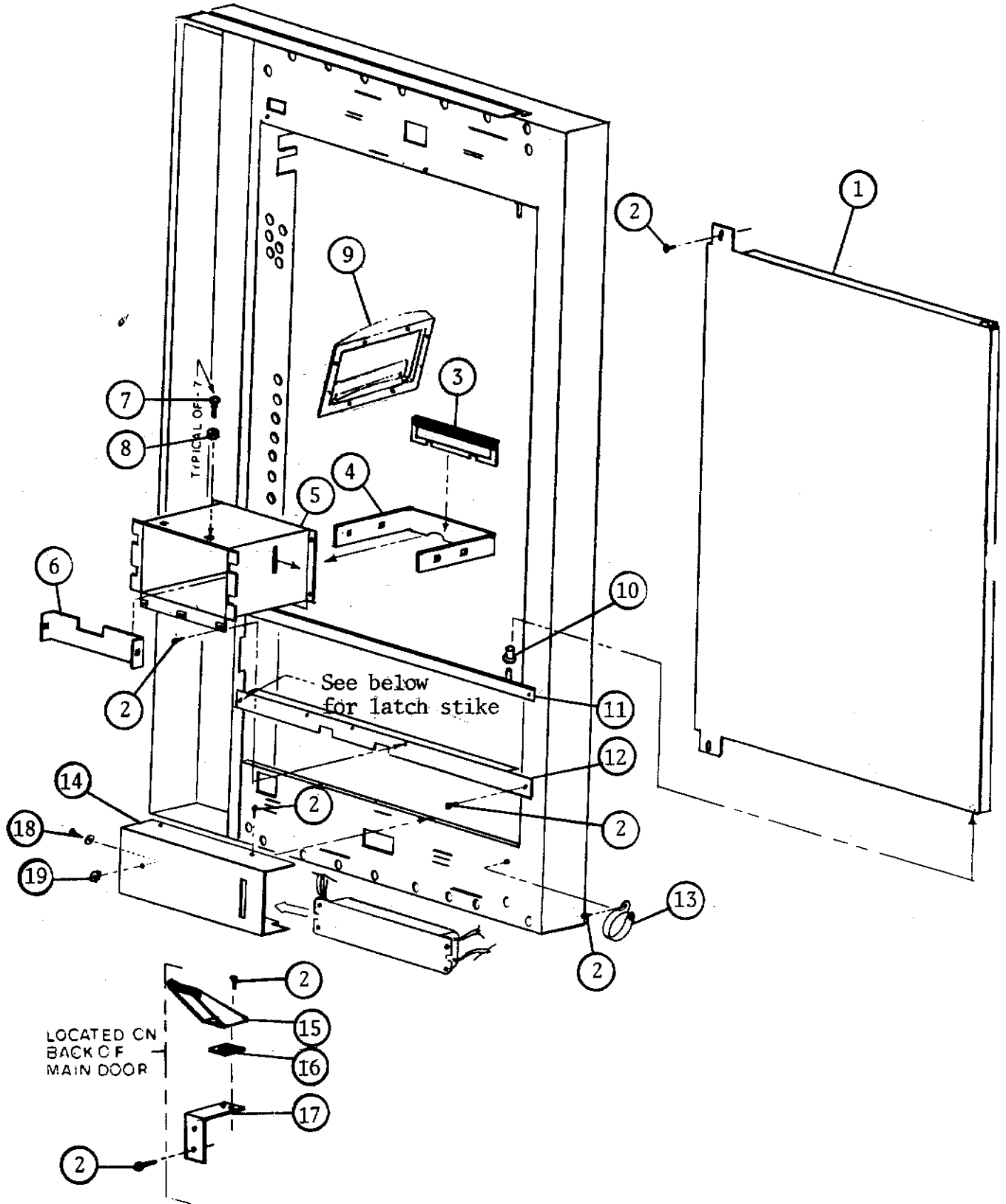
WHEN ORDERING PARTS INDICATE MODEL # AND SERIAL # OF VENDER.
ALL PRICES ARE SUBJECT TO CHANGE WITHOUT NOTICE.

SIGN AND TRIM
LANDSCAPE COKE



Item No.	Part Number	Part Name and Description
1A	805,006,450.01	Circular Coke Sign - 79" High Venders
1B	805,006,460.01	Circular Coke Sign - 72" x 37" Venders
1C	805,006,470.01	Circular Coke Sign - 72" x 28" Venders
1D	805,006,480.01	Circular Coke Sign - 66" x 28" Venders
1E	805,006,570.01	Circular Coke Sign - 66" x 37" Venders
1F	805,006,490.01	Circular Coke Sign - 56" x 28" Venders
2A	801,805,620.01 (17 1/8")	Trim, Top Vertical RS - 79" High Venders
2B	801,805,620.01 (13 7/16")	Trim, Top Vertical RS - 72" High Venders
2C	801,805,620.01 (10 1/2")	Trim, Top Vertical RS - 66" High Venders
2D	801,805,620.01 (5 3/4")	Trim, Top Vertical RS - 56" High Venders
3A	801,805,470.01 (34 3/8")	Trim, Top Horizontal - 37" Wide Venders
3B	801,805,470.01 (25 9/16")	Trim, Top Horizontal - 28" Wide Venders
4A	801,805,470.01 (76 7/16")	Trim, Vertical LS - 79" High Venders
4B	801,805,470.01 (68 15/16")	Trim, Vertical LS - 72" High Venders
4C	801,805,470.01 (63 1/4")	Trim, Vertical LS - 66" High Venders
4D	801,805,470.01 (53 9/16")	Trim, Vertical LS - 56" High Venders
5A	801,805,470.01 (34 3/8")	Trim, Bottom Horizontal - 37" Wide Venders
5B	801,805,470.01 (25 9/16")	Trim, Bottom Horizontal - 28" Wide Venders
6A	801,805,620.01 (17 1/8")	Trim, Bottom Vertical RS - 79" High Venders
6B	801,805,620.01 (13 7/16")	Trim, Bottom Vertical RS - 72" High Venders
6C	801,805,620.01 (10 1/2")	Trim, Bottom Vertical RS - 66" High Venders
6D	801,805,620.01 (5 3/4")	Trim, Bottom Vertical RS - 56" High Venders
7	801,805,470.01 (6 11/16")	Bottom Enclosure - All Circular Coke Venders
8	801,805,470.01 (44 5/16")	Center Enclosure - All Circular Coke Venders
9	801,805,470.01 (6 11/16")	Top Enclosure - All Circular Coke Venders
10A	801,602,870.01	Trim, Delivery Port - Wide Venders under s/n2964 and venders s/n2967
10B	801,602,860.21	Trim, Delivery Port - Wide s/n2964 & up except s/n2967 and for narrow
11A	900,400,420.11	T-Bolt #8-32 x 1 15/16 (6 per Narrow)
11B	900,400,410.01	T-Bolt #8 x 1 3/8 (6 per Wide s/n2964 & up except s/n2967)
12	900,400,350.31	T-Bolt #8 x 3/4
13	900,800,500.01	Keps Nut 8-32
14	900,902,130.02	Christmas Tree Clip

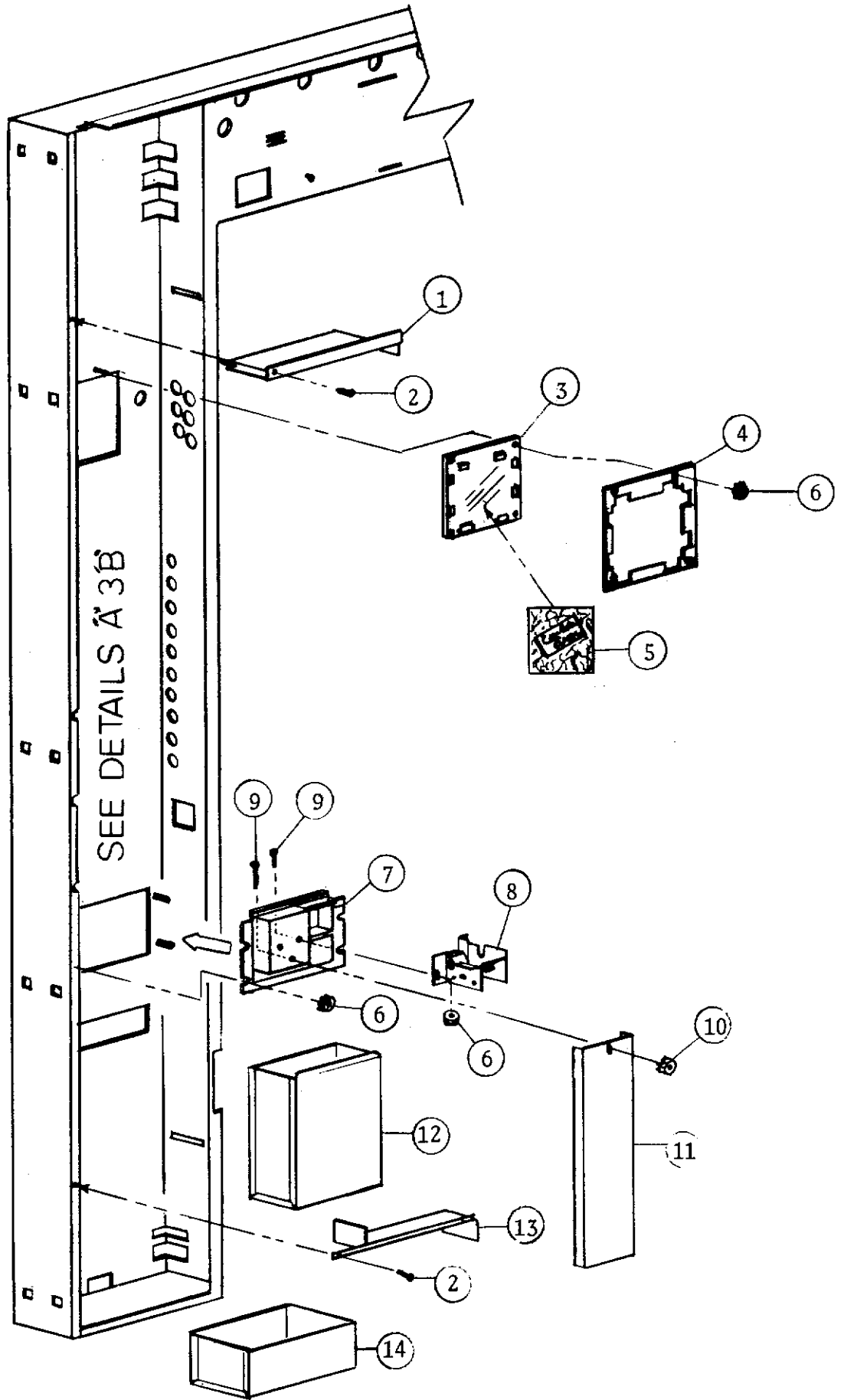
WHEN ORDERING PARTS INDICATE MODEL # AND SERIAL # OF VENDER.
ALL PRICES ARE SUBJECT TO CHANGE WITHOUT NOTICE.



Item No.	Part Number	Part Name and Description
1A	B432,050,410.33	Lamp Door, 79" High Venders
1B	B438,050,040.33	Lamp Door, 72" x 37" Venders
1C	B442,050,040.33	Lamp Door, 66" x 37" Venders
1D	B435,050,070.03	Lamp Door, 72" x 28" Venders
1E	B445,050,060.03	Lamp Door, 56" x 28" Venders
1F	B446,050,040.03	Lamp Door, 66" x 28" Venders
2	900,301,500.01	Self Drilling Screw
3	399,050,600.03	Bumper Assembly (for venders without Port Spacer)
4A	360,050,370.23	Discharge Member - 37" wide venders
4B	435,050,110.03	Discharge Member - 28" wide venders
5A	432,051,500.03	Delivery Chute - 37" wide venders s/n2964 & up
5B	399,050,300.03	Delivery Chute - 37" wide venders under s/n2964
5C	435,050,400.23	Delivery Chute - 28" wide venders
6	399,050,150.43	Closure Strip
7	900,201,170.03	Carriage Bolt
8	900,800,670.01	Kep Nut
9A	801,805,670.01	Port Spacer - 37" wide vender s/n2964 & higher
9B	801,805,680.01	Port Spacer - 28" wide venders
10	901,803,710.01	Nyliner
11A	432,050,200.03	W/A Door Stiffener - 37" wide venders
11B	435,050,100.03	W/A Door Stiffener - 28" wide venders
12A	432,050,060.03	Horizontal Stiffener - 37" wide venders
12B	435,050,030.03	Horizontal Stiffener - 28" wide venders
13	901,901,890.01	Clamp
14	C432,050,250.43	Ballast Box
15	801,501,620.01	Latch Strike
16	801,501,630.01	Latch Plate
17	394,050,110.03	Roller Bracket
18	900,301,630.01	Sems Screw #10-32
19	900,800,500.01	Nut

WHEN ORDERING PARTS INDICATE MODEL # AND SERIAL # OF VENDER.
ALL PRICES ARE SUBJECT TO CHANGE WITHOUT NOTICE.

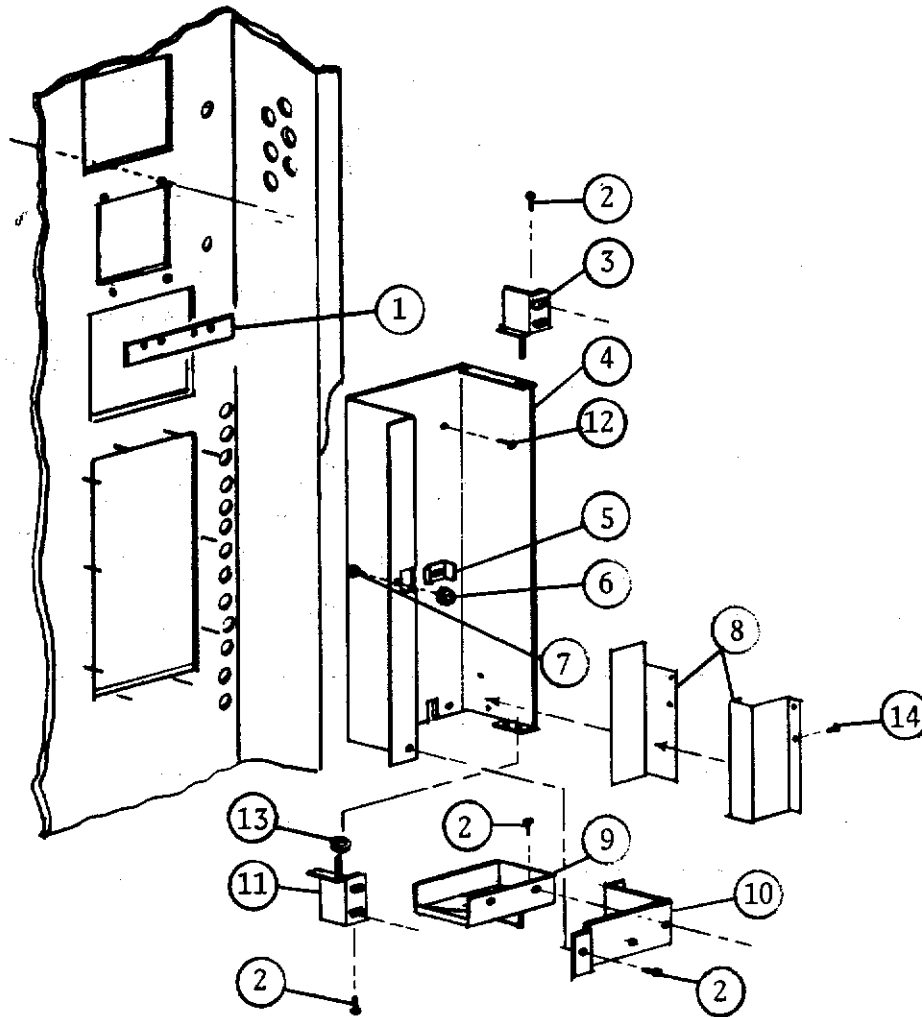
MAIN DOOR ASSEMBLY - INTERIOR PARTS
LANDSCAPE COKE



Item No.	Part Number	Part Name and Description
1	B432,050,080.13	Socket - Door Stiffener Bracket
2	900,301,650.01	Self Drilling Screw
3	801,805,560.01	Point of Sale Window
4	432,050,470.03	Point of Sale Window Retainer
5	803,822,900.01	Point of Sale Decal
6	900,800,500.01	Keps Nut - #8-32
7	801,805,610.01	Coin Bezel
8	432,050,500.03	Coin Cup Assembly
9	900,201,140.01	Machine Screw - #8-32 x 3/4"
10	900,800,510.01	Stop Nut
11A	442,050,050.03	Crown Chute - 180 Only
11B	432,050,280.03	Crown Chute - Except 180
12A	432,050,300.03	Cash Box-Venders s/n2986 & Lower (except 180)
12B	432,051,800.03	Cash Box-Venders s/n2987 & Higher(except 180)
12C	445,050,200.03	Cash Box-180 Venders s/n2989 & Lower
12D	445,050,800.03	Cash Box-180 Venders s/n2990 & Higher
13A	432,050,180.73	Cash Box Shelf - Except 180
13B	445,050,160.23	Cash Box Enclosure - 180 only s/n2990 & Higher
14A	432,050,400.03	Crown Box - Except 180
14B	445,050,300.03	Crown Box - 180 Only

WHEN ORDERING PARTS INDICATE MODEL # AND SERIAL # OF VENDER.
 ALL PRICES ARE SUBJECT TO CHANGE WITHOUT NOTICE.

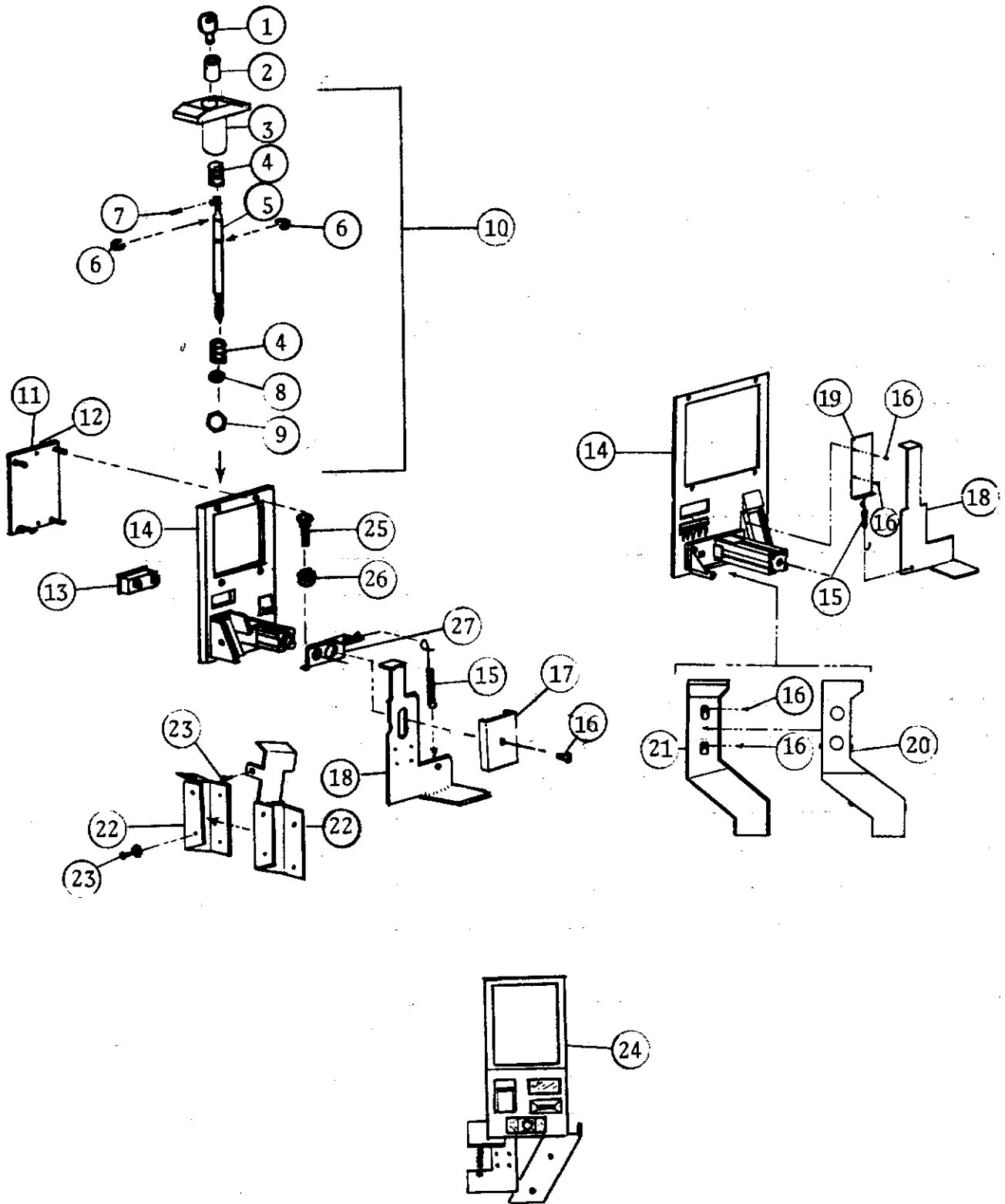
ACCESS DOOR
LANDSCAPE COKE



Item No.	Part Number	Part Name and Description
1	432,050,220.03	Coin Retainer
2	900,301,500.01	Screw
3	432,050,090.23	Top Hinge Access Door
4	432,050,140.03	Access Door
5	432,050,070.23	Latch
6	900,800,500.01	Keps Nut
7	900,500,261.11	Shoulder Screw
8	432,050,900.03	Coin Chute Assembly, Access Door
9	801,804,300.01	Coin Hopper
10	432,050,350.33	Hopper Bracket
11	432,050,460.13	Bottom Hinge
12	900,301,750.01	Screw (Typical of 3)
13	901,803,710.01	Nyliner
14	901,100,460.01	Pop Rivet (Typical of 3)

WHEN ORDERING PARTS INDICATE MODEL # AND SERIAL # OF VENDER.
ALL PRICES ARE SUBJECT TO CHANGE WITHOUT NOTICE.

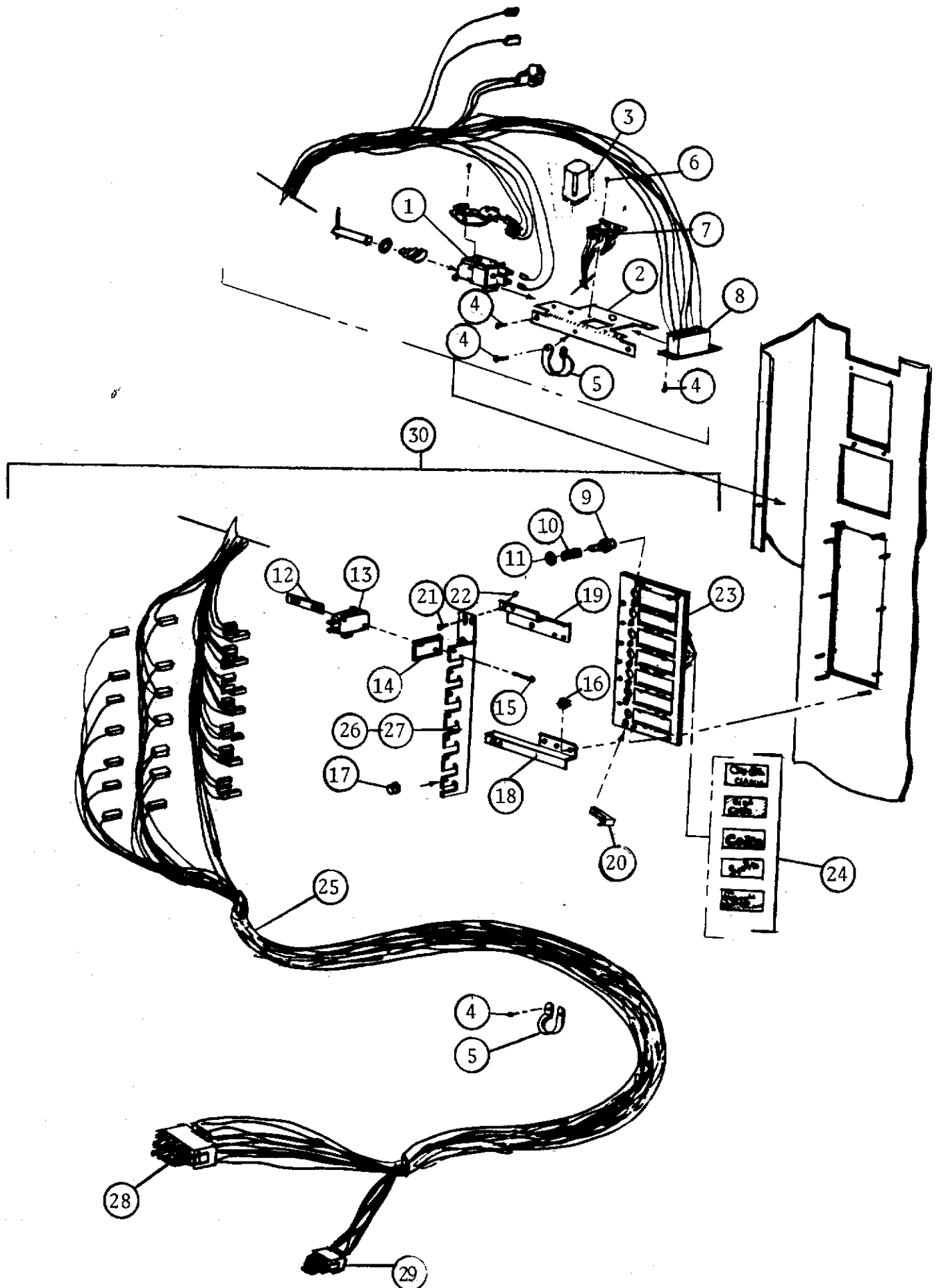
PULL OUT HANDLE AND COIN INSERT ASSEMBLY
LANDSCAPE COKE



Item No.	Part Number	Part Name and Description
1	Specify Key Number	Key Only
2	Specify Key Number	Lock with two keys
3	4265-2	Handle Only
4	901,503,050.01	Spring
5	4255-6-44W	Stud
6	901,503,070.01	E Ring
7	901,503,090.01	Cross Pin
8	901,503,060.01	Flat Washer
9	901,503,080.01	Hex Washer
10	801,503,040.11	Pull Out Handle Ass'y. (Includes items 3-9)
11	432,050,210.23	Validator Plate
12	803,822,940.01	Instruction Label
13	904,700,180.31	Correct Change Lamp
14A	801,201,160.21	Coin Insert Only - Venders under s/n2996
14B	801,201,160.31	Coin Insert Only - Venders s/n2996 & higher
15	901,700,630.11	Coin Return Spring
16	900,301,700.11	Sems Screw #6
17	432,050,520.03	Plunger Slide - Vender under s/n2996
18A	801,303,680.31	Reject Arm - Venders under s/n2996
18B	801,303,680.41	Reject Arm - Vender s/n2996 & higher
19	432,050,570.03	Plunger Bracket - Venders s/n2996 & higher
20	801,805,800.01	Coin Chute Cover - Venders s/n2996 & higher
21	801,805,790.01	Coin Chute - Venders s/n2996 & higher
22	432,050,600.03	Coin Chute Ass'y. - Venders under s/n2996
23	900,301,560.01	Sems Screw - #8 x 32
24	432,012,200.03	Coin Insert Ass'y. (With or Without T-Handle)
25	900,201,450.01	Carriage Bolt
26	900,800,670.01	Keps Nut
27	A432,050,440.23	Bottom Retainer - venders under s/n2996

WHEN ORDERING PARTS INDICATE MODEL # AND SERIAL # OF VENDER.
ALL PRICES ARE SUBJECT TO CHANGE WITHOUT NOTICE.

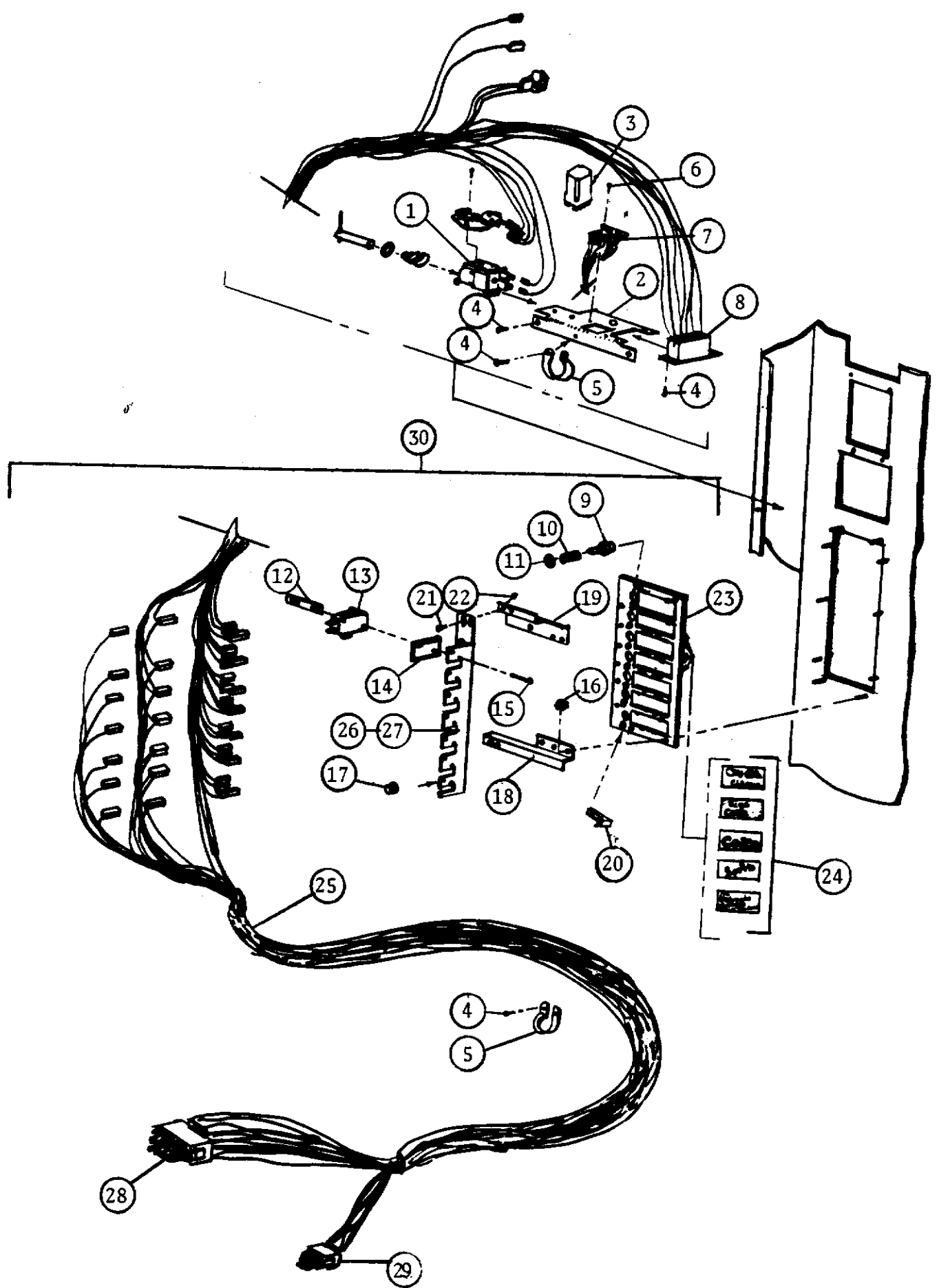
CONTROL PANEL ASSEMBLY
LANDSCAPE COKE



Item No.	Part Number	Part Name and Description
1	804,200,190.01	Vend Sequencer
2	432,050,080.13	Socket Bracket - Door Stiffner
3	804,200,170.01	Vend Relay
4	900,301,500.01	Screw
5	901,901,890.01	Clamp
6	900,301,560.01	Screw
7	904,600,620.01	Socket Relay
8	904,600,600.01	Socket Coin Changer
9A	801,805,590.01	Push Button - Old see control panels below
9B	801,805,710.01	Push Button - New see control panels below
10A	901,700,430.21	Spring - Old see control panels below
10B	901,700,720.01	Spring - New see control panels below
11	900,700,600.01	Washer - Old see control panels below
12	900,901,530.01	Twin Speed Nut - Old see control panels below
13	804,100,560.01	Select Switch
14A	801,804,350.11	Insulator Spacer-Old see control panels below
14B	905,800,330.11	Insulator Spacer-New see control panels below
15	900,300,470.01	S/M Screw
16	900,800,500.01	Keys Nut
17	902,000,580.01	Snap Bushing
18	432,050,430.03	Select Switch Mounting Bracket - Bottom - Old
19	432,050,420.03	Select Switch Mounting Bracket - Top - Old
20	804,700,210.01	Sold Out Lamp
21A	900,301,500.01	Screw - Old see control panels below
21B	900,400,430.01	#8-32 x 1" Tee Bolt - New see control panels
22	900,800,500.01	Keys Nuts for T-Bolts - New see control panels
23A	801,805,660.01	Control Panel-5-Old S/N2981 mixed and lower
23B	801,805,720.01	Control Panel-5-New S/N2981 mixed and higher
23C	801,805,650.01	Control Panel-6-Old S/N2975 mixed and lower
23D	801,805,730.01	Control Panel-6-New S/N2975 mixed and higher
23E	801,805,640.01	Control Panel-9-Old S/N2979 mixed and lower except S/N2977
23F	801,805,750.01	Control Panel-9-New S/N2979 mixed and higher and S/N2977
23G	801,805,630.01	Control Panel-7-Old S/N2980 & lower except S/N2977 & S/N2986 mixed
23H	801,805,740.01	Control Panel-7-New S/N2984 & higher & 2977 S/N2986 mixed- except 2995
23I	801,805,700.01	Control Panel-8 Accommodator Currently Old
24	CC	Flavor Cards - Indicate Flavor

WHEN ORDERING PARTS INDICATE MODEL # AND SERIAL # OF VENDER.
ALL PRICES ARE SUBJECT TO CHANGE WITHOUT NOTICE.

CONTROL PANEL ASSEMBLY
LANDSCAPE COKE



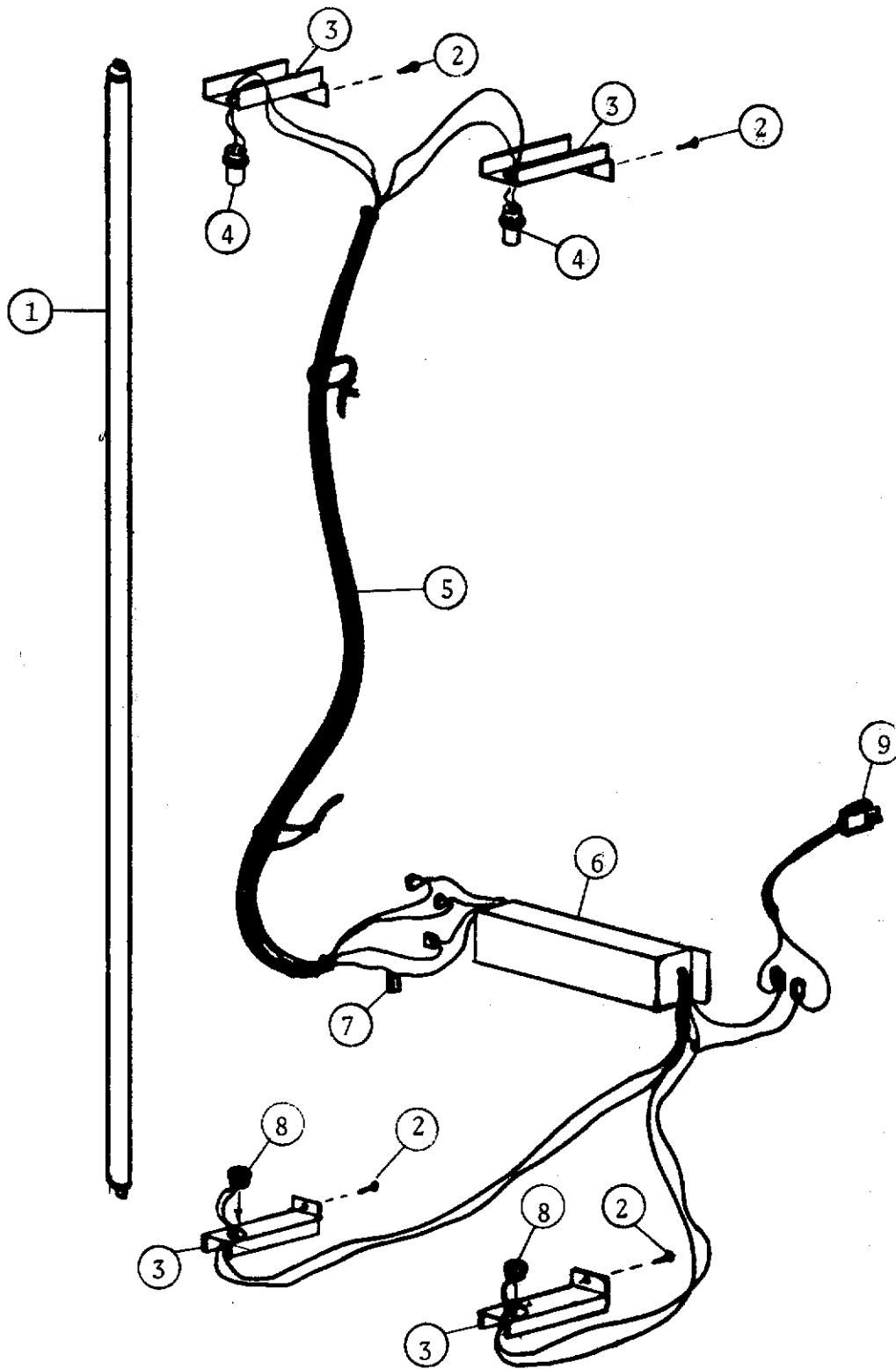
Item No.	Part Number	Part Name and Description
25A	432,050,100.03	Wiring Harness Control Panel -7
25B	437,050,100.03	Wiring Harness Control Panel -9
25C	443,050,100.03	Wiring Harness Control Panel -6
25D	445,050,500.03	Wiring Harness Control Panel -5
25E	444,050,100.03	Wiring Harness Control Panel -8
26A	432,050,150.03	Switch Bar Only -7 Old
26B	432,050,530.03	Switch Bar Only -7 New
26C	437,050,020.03	Switch Bar Only -9 Old
26D	437,050,030.03	Switch Bar Only -9 New
26E	443,050,020.03	Switch Bar Only -6 Old
26F	443,050,030.03	Switch Bar Only -6 New
26G	445,050,020.03	Switch Bar Only -5 Old
26H	445,050,150.03	Switch Bar Only -5 New
26I	444,050,020.03	Switch Bar Only -8 Accommodator-Currently Old
27A	432,051,600.03	Switch Bar Ass'y-7 Old
27B	432,051,600.13	Switch Bar Ass'y-7 New
27C	437,050,200.03	Switch Bar Ass'y-9 Old
27D	437,050,200.13	Switch Bar Ass'y-9 New
27E	443,050,200.03	Switch Bar Ass'y-6 Old
27F	443,050,200.13	Switch Bar Ass'y-6 New
27G	445,050,400.03	Switch Bar Ass'y-5 Old
27H	445,050,400.13	Switch Bar Ass'y-5 New
27I	444,050,200.03	Switch Bar Ass'y-8 Accommodator-Currently Old
28	904,600,830.01	15 Way Plug
29A	904,600,820.01	15 Way Cap - -9 Venders only
29B	904,600,670.01	9 Way Plug - All venders except -9 select
30A	437,050,300.03	Control Panel Assembly -9
30B	432,052,000.03	Control Panel Assembly -7
30C	445,050,900.03	Control Panel Assembly -5
30D	444,050,300.03	Control Panel Assembly -8
30E	443,050,300.03	Control Panel Assembly -6

Note: See Control Panels on previous page for s/n of old and new parts

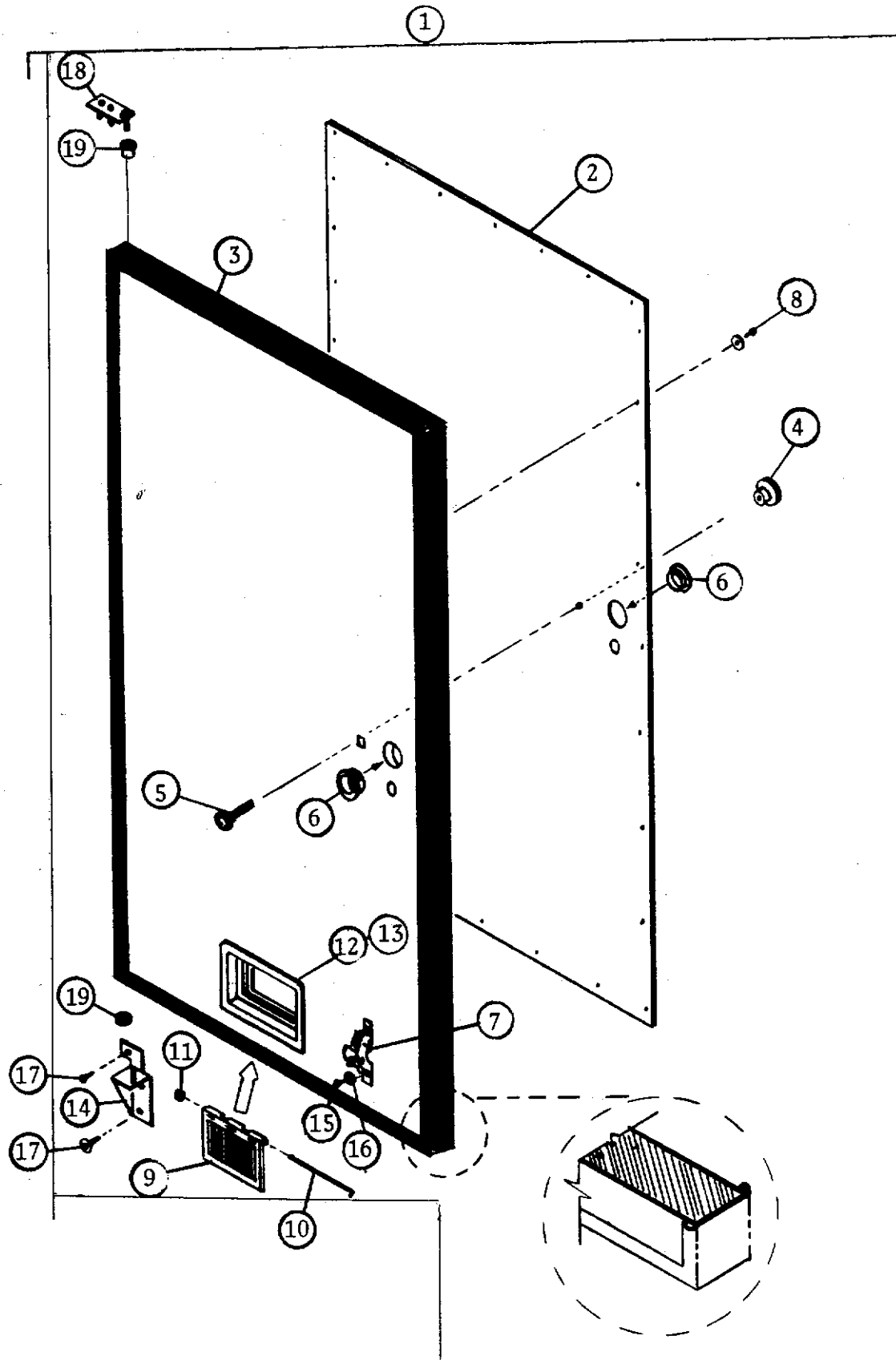
Note: See Control Panels on previous page for s/n of old and new parts

WHEN ORDERING PARTS INDICATE MODEL # AND SERIAL # OF VENDER.
ALL PRICES ARE SUBJECT TO CHANGE WITHOUT NOTICE.

LIGHT ASSEMBLY
LANDSCAPE COKE



INNER DOOR ASSEMBLY
LANDSCAPE COKE



Item No.	Part Number	Part Name and Description
1A	432,051,700.03	Inner Door Assembly - 79" High Venders
1B	438,050,100.03	Inner Door Assembly - 72" x 37" Venders
1C	442,050,100.03	Inner Door Assembly - 66" x 37" Venders
1D	435,050,300.03	Inner Door Assembly - 72" x 28" Venders
1E	446,050,100.03	Inner Door Assembly - 66" x 28" Venders
1F	445,050,700.03	Inner Door Assembly - 56" x 28" Venders
2A	432,050,240.03	Rear Panel, Inner Door - 79" High Venders
2B	438,050,030.03	Rear Panel, Inner Door - 72" x 37" Venders
2C	442,050,020.03	Rear Panel, Inner Door - 66" x 37" Venders
2D	435,050,060.03	Rear Panel, Inner Door - 72" x 28" Venders
2E	446,050,020.03	Rear Panel, Inner Door - 66" x 28" Venders
2F	445,050,040.03	Rear Panel, Inner Door - 56" x 28" Venders
3A	801,804,070.01	Gasket, Inner Door - 79" High Venders
3B	801,804,060.01	Gasket, Inner Door - 72" x 37" Venders
3C	801,804,050.01	Gasket, Inner Door - 66" x 37" Venders
3D	801,804,030.01	Gasket, Inner Door - 72" x 28" Venders
3E	801,804,020.01	Gasket, Inner Door - 66" x 28" Venders
3F	801,804,010.01	Gasket, Inner Door - 56" x 28" Venders
4	901,501,700.01	Knob
5	900,201,230.01	Carriage Bolt
6	901,901,360.01	Snap Bushing (2 per)
7	801,501,610.11	Burst Open Latch
8	900,301,650.01	Screw, Self Drilling #8 x 1/2"
9	801,804,200.01	Delivery Door
10	900,502,301.11	Hinge Pin
11	900,800,580.01	Lock Nut
12	801,804,210.01	Frame, Inner Door
13	901,100,460.01	Pop Rivet
14	169,051,101.33	Bottom Hinge, Inner Door
15	900,301,500.01	Screw, Self Drilling #8 x 1/2"
16	903,000,170.02	Washer
17	900,201,140.01	Screw
18	169,053,001.03	Top Hinge, Inner Door
19	901,803,710.01	Nyliner, Door Hinge

WHEN ORDERING PARTS INDICATE MODEL # AND SERIAL # OF VENDER.
ALL PRICES ARE SUBJECT TO CHANGE WITHOUT NOTICE.

